

ELECTRO MATE®



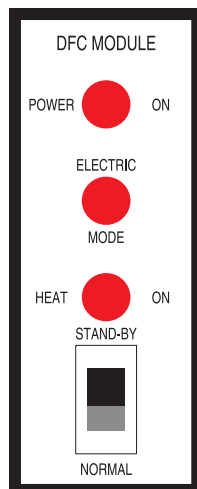
PLENUM HEATER

Electro Industries originated the first zero clearance plenum heater in 1979 and the successful design and component features of the Electro-Mate remain unchanged. With the installation of this unit you are acquiring the experience, service, and reliability of the Load Management application leader. If your neighbor has an off-peak meter, he no doubt has an Electro Industries' product someplace within his system.

FEATURES

- Finned, metal rod element
- 20-year element warranty
- Only 3" plenum height required
- A-coil compatible
- Dual, redundant, safety hi-limits
- Controls airflow over elements
- One room thermostat, total system
- Circuit breakers, not fuses
- Basic utility load control connection
- Simple, neat wire harness
- ARL certified to UL1996
- Patents 4,593,176 & 1,177,512
- Made in USA

ENERGY CONTROL SELECTOR



experience the POWER of CHOICE!



ELECTRIC CONVERSION or ADD-ON

Designed for zero clearance insertion into new or existing forced air furnaces' supply air plenum - gas, oil, wood, etc.

- Upflow
- Downflow
- Horizontal

WarmFlo™ Compatible

Exclusive DFC Module

- Single 4-wire stat
- Thermostat matching
- Electronic delays
- Blower purge cycle - gas to EL and EL to gas
- Utility load control, heat and **cool**
- Selectable load control logic
- Indicator lights
- Override switch
- Multi-speed blower connection
- 2-stage gas connection

FUEL COST COMPARISON

Off-Peak Rate (Cents/kWh)	LP, Std (\$/Gal)	LP, 90+ (\$/Gal)	Fuel Oil (\$/Gal)	Nat Gas, 90+ (\$/Therm)
3.0	0.48	0.73	0.70	0.79
3.5	0.56	0.85	0.81	0.92
4.0	0.64	0.97	0.91	1.05
4.5	0.72	1.09	1.11	1.19
6.0	0.97	1.40	1.47	1.49

The kWh rate relates to one gallon, liquid fuel, at appropriate furnace type.

WARMFLO CONTROLLER

Models are available with built-in WarmFlo controller for heat pumps or dual heat electric. The heat pump programmed models use outdoor temperature sensor, modulate electric elements, add comfort to air source heat pump, and ramp up warm air as the outdoor temperature gets colder.

With WarmFlo Electro-Mate and heat pump, the typical balance point is 0° F.

Standard, 4-wire, heat/cool thermostat can apply to a complete system (including heat pump).

See other literature sheets on WarmFlo.

OPTIONS OR ACCESSORIES

A variety of plug-in modules can add performance to your heat/cool system.

SINGLE FEED BUS - Adapter wiring block for the dual circuit breaker field wiring. GE - EM-5716 or EM-5717
Square D - 5701 or 5702

ZONE DAMPERS - Suggest WarmFlo model because the duct sensor prevents electric element overheat for small zones. The simplest, 4-wire, zone controller applies.

STAT OVERRIDE TIME (SOT) - Plug-in to basic DFC, transfers to standby after a fixed heat call run time. SOT-EM-60

LOAD SHED - 5 kW load share with other appliances, properly drops out applicable Electro-Mate stage. EM-LS-NC

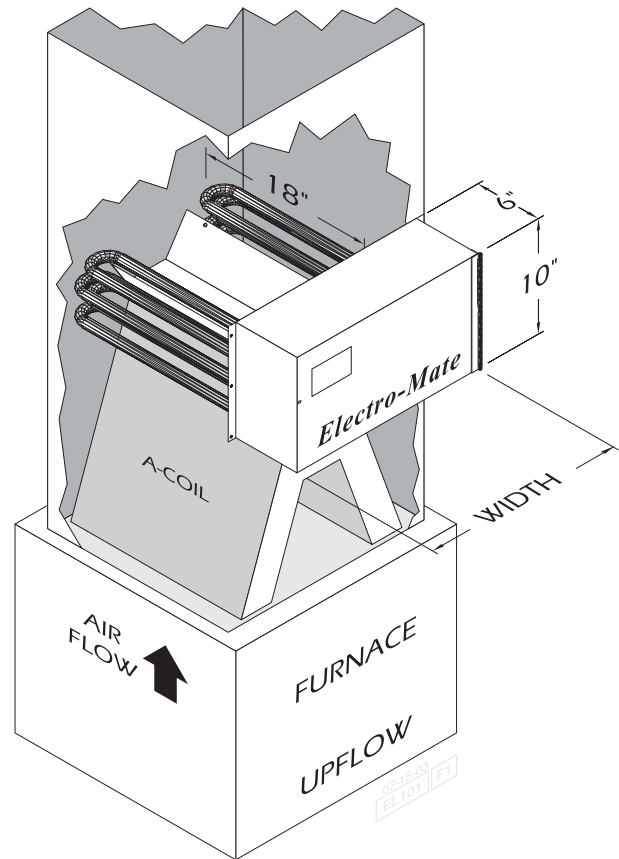
CONTROLLING ADDITIONAL ELECTRIC LOADS - Plug-in 2-pole 30A relay can interrupt as a direct function of the load control receiver. EM-5709

LARGER PLENUM, DEFLECTOR KIT - Prepackaged deflectors which must be used on plenums greater than 18-1/2" and especially with A-coil. EM-5750 or EM-5751

WOOD FURNACE - Must add additional inlet sensor. EM5713

A-COIL APPLICATION

Designed and approved for zero clearance over air conditioning A-coil or heat pump A-coil.



Typical System Configuration

See Electro-Mate applications **HELP** foldout sheet for installation and hookup information, selecting the correct type for your application, correct model number relating to plenum width, airflow direction, and heating capacity.

Insert models are also available for commercial applications.



ELECTRO INDUSTRIES, INC.

2150 West River Street, PO Box 538, Monticello, MN 55362
763.295.4138 • 800.922.4138 • fax 763.295.4434
sales@electromn.com • www.electromn.com