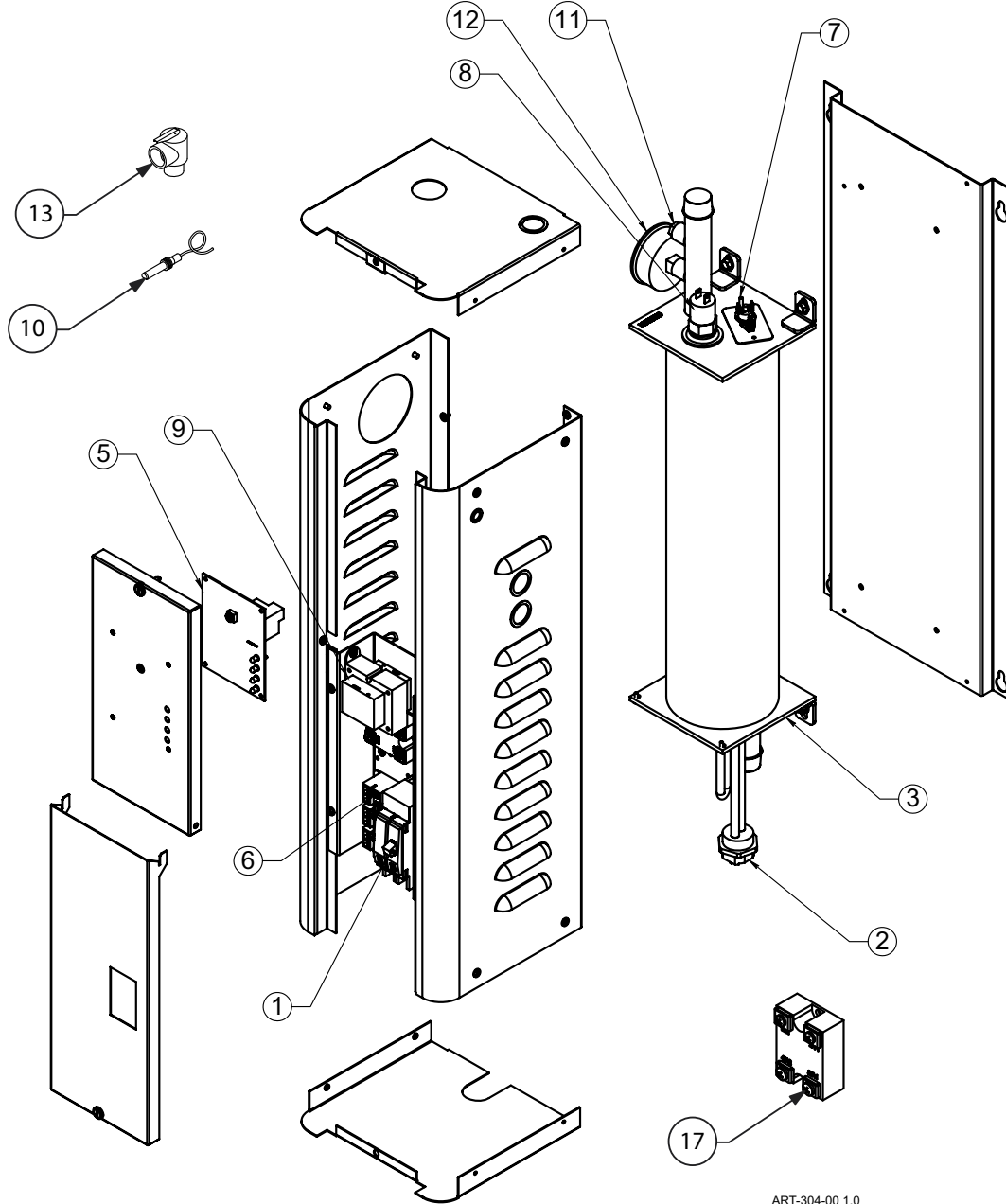


Mini-Boiler™ EMB-H-* Series



ART-304-00 1.0

Replacement Part #	Description
EMB-H-5	
1	5650 Square D 30-Amp Circuit Breaker
2	EB5520 4.5kW Element with Gasket
3	EMBSVS5 5kW Vessel Assembly
EMB-H-7	
1	5651 Square D 45-Amp Circuit Breaker
2	EB5524 2.5kW Element with Gasket – 240VAC
2	EB5520 4.5kW Element with Gasket
3	EMBSVS7 7kW Vessel Assembly
EMB-H-9	
1	5652 Square D 60-Amp Circuit Breaker
2	EB5520 4.5kW Element with Gasket
3	EMBSVS9 9kW Vessel Assembly

Replacement Part #	Description
Common Parts for the EMB-H-* Series	
4	EBCBW5440 Wiring Harness (<i>Not Shown</i>)
5	EMBH5636 Control Board
6	5128 30-Amp DC Relay
7	5532 205° Manual Reset Limit – Low Voltage
8	5537 190° Auto Reset Limit
9	5541 40VA Transformer with Pigtails
10	WFS2 Supply Sensor
11	5533 Sensor Well
12	5456A Pressure / Temperature Gauge
13	5453 30 psi Relief Valve
14	XEL7800 ¼" Pipe Elbow (<i>Not Shown</i>)
15	XNPL7300 ¼" x 2½" Pipe Nipple (<i>Not Shown</i>)
16	XTEE7000 ¼" Pipe Tee (<i>Not Shown</i>)
17	4038KIT 50-Amp DC Triac Kit