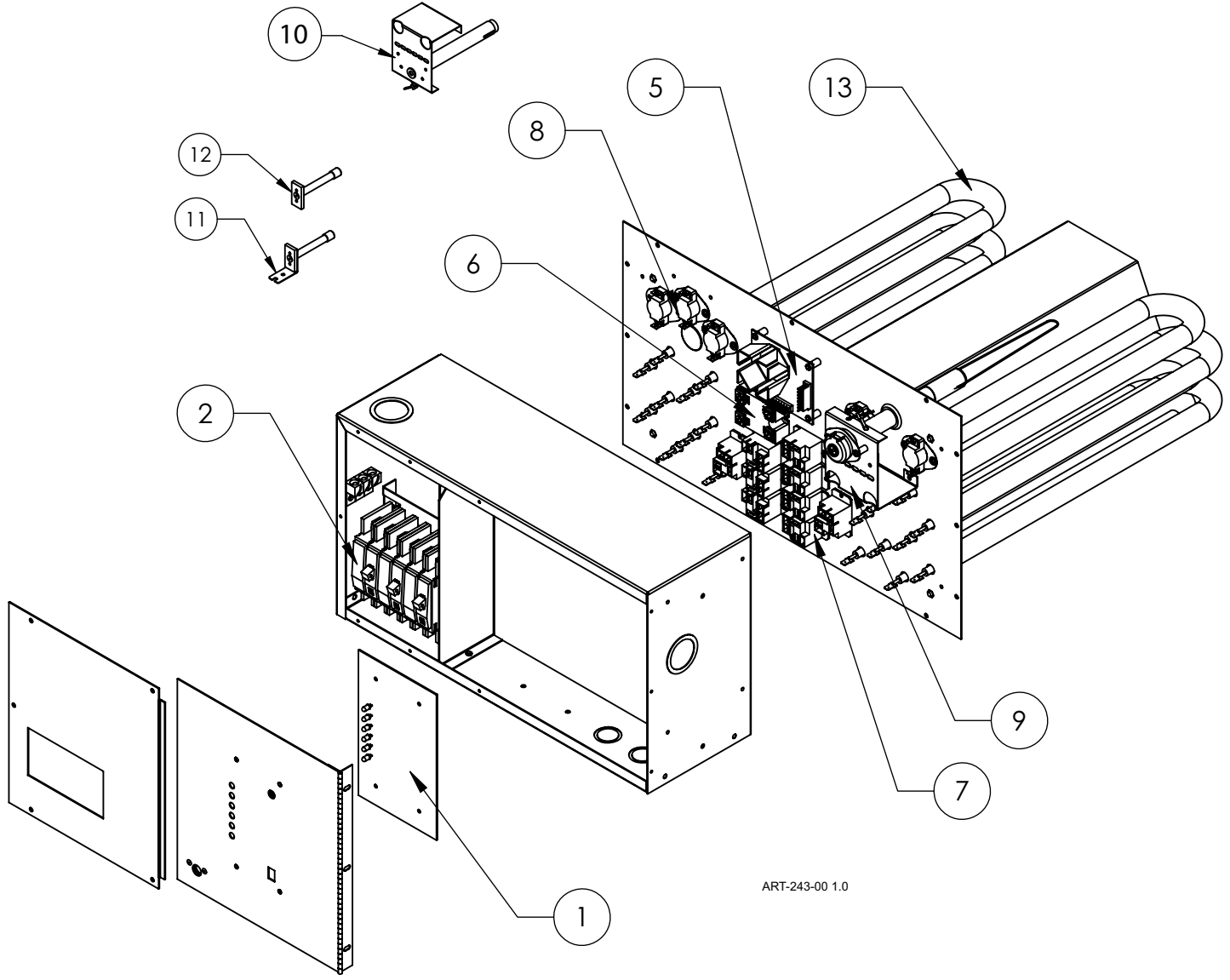


# WarmFlo® Select EM-WD\*\*\*\*\*-SL\* Series



ART-243-00 1.0

(SEE NEXT PAGE FOR PARTS LIST)

# WarmFlo® Select

## EM-WD\*\*\*\*-SL\* Series

| Replacement Part #                     | Description                                                |
|----------------------------------------|------------------------------------------------------------|
| <b>EM-WD102S5-SL1 / EM-WD102S8-SL1</b> |                                                            |
| 1                                      | WF5630DH WarmFlo + Control Board                           |
| 1a                                     | UIC9266 R-111 Microchip v. 12.0*                           |
| 2                                      | 5652 Square D 60-Amp Circuit Breaker                       |
| 3                                      | EMCBW5217 AC to DC Relay Cable ( <i>Not Shown</i> )        |
| 4                                      | EMCBW5218 WarmFlo Control Relay Cable ( <i>Not Shown</i> ) |

| Replacement Part #                     | Description                                                |
|----------------------------------------|------------------------------------------------------------|
| <b>EM-WD153S5-SL1 / EM-WD153S8-SL1</b> |                                                            |
| 1                                      | WF5630DH WarmFlo + Control Board                           |
| 1a                                     | UIC9266 R-111 Microchip v. 12.0*                           |
| 2                                      | 5650 Square D 30-Amp Circuit Breaker                       |
| 2                                      | 5652 Square D 60-Amp Circuit Breaker                       |
| 3                                      | EMCBW5215 AC to DC Relay Cable ( <i>Not Shown</i> )        |
| 4                                      | EMCBW5216 WarmFlo Control Relay Cable ( <i>Not Shown</i> ) |

| Replacement Part #                     | Description                                                |
|----------------------------------------|------------------------------------------------------------|
| <b>EM-WD204S5-SL1 / EM-WD204S8-SL1</b> |                                                            |
| 1                                      | WF5630DH WarmFlo + Control Board                           |
| 1a                                     | UIC9266 R-111 Microchip v. 12.0*                           |
| 2                                      | 5652 Square D 60-Amp Circuit Breaker                       |
| 3                                      | EMCBW5213 AC to DC Relay Cable ( <i>Not Shown</i> )        |
| 4                                      | EMCBW5214 WarmFlo Control Relay Cable ( <i>Not Shown</i> ) |

| Replacement Part #    | Description                                                |
|-----------------------|------------------------------------------------------------|
| <b>EM-WD254S8-SL1</b> |                                                            |
| 1                     | WF5630DH WarmFlo + Control Board                           |
| 1a                    | UIC9266 R-111 Microchip v. 12.0*                           |
| 2                     | 5650 Square D 30-Amp Circuit Breaker                       |
| 2                     | 5652 Square D 60-Amp Circuit Breaker                       |
| 3                     | EMCBW5211 AC to DC Relay Cable ( <i>Not Shown</i> )        |
| 4                     | EMCBW5212 WarmFlo Control Relay Cable ( <i>Not Shown</i> ) |

| Replacement Part #                     | Description                                                |
|----------------------------------------|------------------------------------------------------------|
| <b>EM-WD102D5-SL2 / EM-WD102D8-SL2</b> |                                                            |
| 1                                      | WF5637SL2 WarmFlo SL2 Control Board                        |
| 1a                                     | UIC9266 R- Microchip v. 18.0*                              |
| 2                                      | 5652 Square D 60-Amp Circuit Breaker                       |
| 3                                      | EMCBW5217 AC to DC Relay Cable ( <i>Not Shown</i> )        |
| 4                                      | EMCBW5218 WarmFlo Control Relay Cable ( <i>Not Shown</i> ) |

| Replacement Part #                     | Description                                                |
|----------------------------------------|------------------------------------------------------------|
| <b>EM-WD153D5-SL2 / EM-WD153D8-SL2</b> |                                                            |
| 1                                      | WF5637SL2 WarmFlo SL2 Control Board                        |
| 1a                                     | UIC9266 R- Microchip v. 18.0*                              |
| 2                                      | 5650 Square D 30-Amp Circuit Breaker                       |
| 2                                      | 5652 Square D 60-Amp Circuit Breaker                       |
| 3                                      | EMCBW5215 AC to DC Relay Cable ( <i>Not Shown</i> )        |
| 4                                      | EMCBW5216 WarmFlo Control Relay Cable ( <i>Not Shown</i> ) |

| Replacement Part #                     | Description                                                |
|----------------------------------------|------------------------------------------------------------|
| <b>EM-WD204D5-SL2 / EM-WD204D8-SL2</b> |                                                            |
| 1                                      | WF5637SL2 WarmFlo SL2 Control Board                        |
| 1a                                     | UIC9266 R- Microchip v. 18.0*                              |
| 2                                      | 5652 Square D 60-Amp Circuit Breaker                       |
| 3                                      | EMCBW5213 AC to DC Relay Cable ( <i>Not Shown</i> )        |
| 4                                      | EMCBW5214 WarmFlo Control Relay Cable ( <i>Not Shown</i> ) |

| Replacement Part #    | Description                                                |
|-----------------------|------------------------------------------------------------|
| <b>EM-WD254D8-SL2</b> |                                                            |
| 1                     | WF5637SL2 WarmFlo SL2 Control Board                        |
| 1a                    | UIC9266 R- Microchip v. 18.0*                              |
| 2                     | 5650 Square D 30-Amp Circuit Breaker                       |
| 2                     | 5652 Square D 60-Amp Circuit Breaker                       |
| 3                     | EMCBW5211 AC to DC Relay Cable ( <i>Not Shown</i> )        |
| 4                     | EMCBW5212 WarmFlo Control Relay Cable ( <i>Not Shown</i> ) |

| Replacement Part #                     | Description                                                |
|----------------------------------------|------------------------------------------------------------|
| <b>EM-WD102D5-SLC / EM-WD102D8-SLC</b> |                                                            |
| 1                                      | WF5637SLC WarmFlo SLC Control Board                        |
| 1a                                     | UIC9266 R- Microchip v. 17.0*                              |
| 2                                      | 5652 Square D 60-Amp Circuit Breaker                       |
| 3                                      | EMCBW5217 AC to DC Relay Cable ( <i>Not Shown</i> )        |
| 4                                      | EMCBW5218 WarmFlo Control Relay Cable ( <i>Not Shown</i> ) |

| Replacement Part #                     | Description                                                |
|----------------------------------------|------------------------------------------------------------|
| <b>EM-WD153D5-SLC / EM-WD153D8-SLC</b> |                                                            |
| 1                                      | WF5637SLC WarmFlo SLC Control Board                        |
| 1a                                     | UIC9266 R- Microchip v. 17.0*                              |
| 2                                      | 5650 Square D 30-Amp Circuit Breaker                       |
| 2                                      | 5652 Square D 60-Amp Circuit Breaker                       |
| 3                                      | EMCBW5215 AC to DC Relay Cable ( <i>Not Shown</i> )        |
| 4                                      | EMCBW5216 WarmFlo Control Relay Cable ( <i>Not Shown</i> ) |

| Replacement Part #                     | Description                                                |
|----------------------------------------|------------------------------------------------------------|
| <b>EM-WD204D5-SLC / EM-WD204D8-SLC</b> |                                                            |
| 1                                      | WF5637SLC WarmFlo SLC Control Board                        |
| 1a                                     | UIC9266 R- Microchip v. 17.0*                              |
| 2                                      | 5652 Square D 60-Amp Circuit Breaker                       |
| 3                                      | EMCBW5213 AC to DC Relay Cable ( <i>Not Shown</i> )        |
| 4                                      | EMCBW5214 WarmFlo Control Relay Cable ( <i>Not Shown</i> ) |

| Replacement Part #    | Description                                                |
|-----------------------|------------------------------------------------------------|
| <b>EM-WD254D8-SLC</b> |                                                            |
| 1                     | WF5637SLC WarmFlo SLC Control Board                        |
| 1a                    | UIC9266 R- Microchip v. 17.0*                              |
| 2                     | 5650 Square D 30-Amp Circuit Breaker                       |
| 2                     | 5652 Square D 60-Amp Circuit Breaker                       |
| 3                     | EMCBW5211 AC to DC Relay Cable ( <i>Not Shown</i> )        |
| 4                     | EMCBW5212 WarmFlo Control Relay Cable ( <i>Not Shown</i> ) |

| Replacement Part #                     | Description                                                |
|----------------------------------------|------------------------------------------------------------|
| <b>EM-WD102D5-SLT / EM-WD102D8-SLT</b> |                                                            |
| 1                                      | WF5641SLT WarmFlo SLT Control Board                        |
| 1a                                     | UIC9266 R-130 Microchip v. 17.3*                           |
| 2                                      | 5652 Square D 60-Amp Circuit Breaker                       |
| 3                                      | EMCBW5215 AC to DC Relay Cable ( <i>Not Shown</i> )        |
| 4                                      | EMCBW5218 WarmFlo Control Relay Cable ( <i>Not Shown</i> ) |

| Replacement Part #                     | Description                                                |
|----------------------------------------|------------------------------------------------------------|
| <b>EM-WD153D5-SLT / EM-WD153D8-SLT</b> |                                                            |
| 1                                      | WF5641SLT WarmFlo SLT Control Board                        |
| 1a                                     | UIC9266 R-130 Microchip v. 17.3*                           |
| 2                                      | 5650 Square D 30-Amp Circuit Breaker                       |
| 2                                      | 5652 Square D 60-Amp Circuit Breaker                       |
| 3                                      | EMCBW5215 AC to DC Relay Cable ( <i>Not Shown</i> )        |
| 4                                      | EMCBW5218 WarmFlo Control Relay Cable ( <i>Not Shown</i> ) |

| Replacement Part #                     | Description                                                |
|----------------------------------------|------------------------------------------------------------|
| <b>EM-WD204D5-SLT / EM-WD204D8-SLT</b> |                                                            |
| 1                                      | WF5641SLT WarmFlo SLT Control Board                        |
| 1a                                     | UIC9266 R-130 Microchip v. 17.3*                           |
| 2                                      | 5652 Square D 60-Amp Circuit Breaker                       |
| 3                                      | EMCBW5215 AC to DC Relay Cable ( <i>Not Shown</i> )        |
| 4                                      | EMCBW5218 WarmFlo Control Relay Cable ( <i>Not Shown</i> ) |

| Common Parts for the EM-WD****-SLT Series |           |                                            |
|-------------------------------------------|-----------|--------------------------------------------|
| 13                                        | EM5642    | SLT I/F ( <i>Not Shown</i> )               |
| 14                                        | EMCBW5214 | SLT I/F Control Cable ( <i>Not Shown</i> ) |

| Common Parts for the EM-WD****-SL* Series |           |                        |
|-------------------------------------------|-----------|------------------------|
| 5                                         | WFPDC5632 | Relay Driver Board     |
| 6                                         | 4038KIT   | 50-Amp Triac Kit       |
| 7                                         | 5128      | 30-Amp DC Relay        |
| 8                                         | 5633      | 118° Auto High Limit   |
| 9                                         | EM5729    | High Limit Probe       |
| 10                                        | EM5714    | Blower Limit Probe     |
| 11                                        | WFS25F    | Outdoor Sensor         |
| 12                                        | WFS5F     | Duct Sensor            |
| 13                                        | EM5620    | 2.5 kW SpinFin Element |