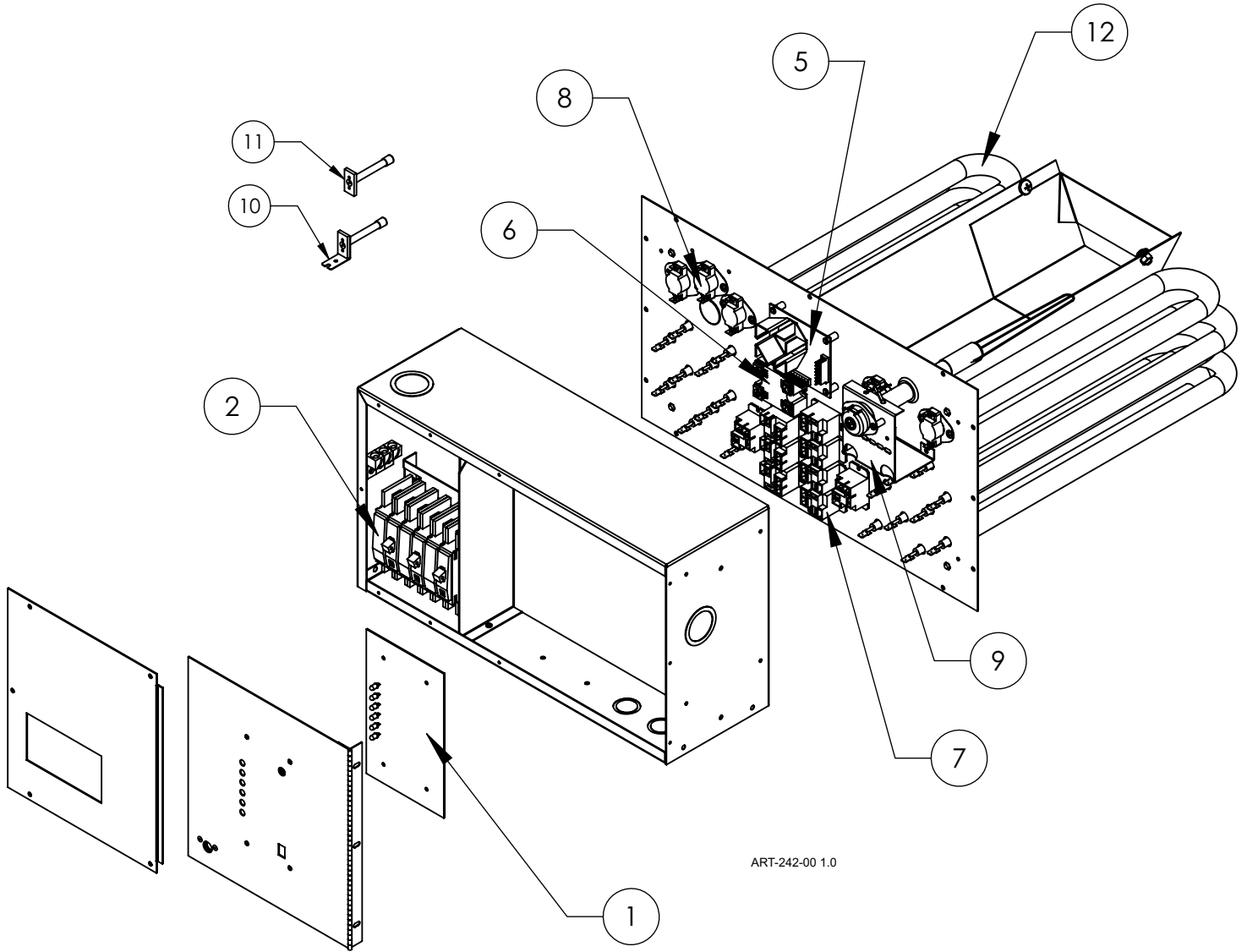


WarmFlo® Select EM-WU*****-SL* Series



(SEE NEXT PAGE FOR PARTS LIST)

WarmFlo® Select

EM-WU****-SL* Series

Replacement Part #		Description
EM-WU102S5-SL1 EM-WU102S8-SL1		
1	WF5630DH	WarmFlo + Control Board
1a	UIC9266 R-111	Microchip v. 12.0*
2	5652	Square D 60-Amp Circuit Breaker
3	EMCBW5217	AC to DC Relay Cable (<i>Not Shown</i>)
4	EMCBW5218	WarmFlo Control Relay Cable (<i>Not Shown</i>)

EM-WU153S5-SL1 EM-WU153S8-SL1		
1	WF5630DH	WarmFlo + Control Board
1a	UIC9266 R-111	Microchip v. 12.0*
2	5650	Square D 30-Amp Circuit Breaker
2	5652	Square D 60-Amp Circuit Breaker
3	EMCBW5215	AC to DC Relay Cable (<i>Not Shown</i>)
4	EMCBW5216	WarmFlo Control Relay Cable (<i>Not Shown</i>)

EM-WU204S5-SL1 EM-WU204S8-SL1		
1	WF5630DH	WarmFlo + Control Board
1a	UIC9266 R-111	Microchip v. 12.0*
2	5652	Square D 60-Amp Circuit Breaker
3	EMCBW5213	AC to DC Relay Cable (<i>Not Shown</i>)
4	EMCBW5214	WarmFlo Control Relay Cable (<i>Not Shown</i>)

EM-WU254S8-SL1		
1	WF5630DH	WarmFlo + Control Board
1a	UIC9266 R-111	Microchip v. 12.0*
2	5650	Square D 30-Amp Circuit Breaker
2	5652	Square D 60-Amp Circuit Breaker
3	EMCBW5211	AC to DC Relay Cable (<i>Not Shown</i>)
4	EMCBW5212	WarmFlo Control Relay Cable (<i>Not Shown</i>)

EM-WU102D5-SL2 EM-WU102D8-SL2		
1	WF5637SL2	WarmFlo SL2 Control Board
1a	UIC9266 R-	Microchip v. 18.0*
2	5652	Square D 60-Amp Circuit Breaker
3	EMCBW5217	AC to DC Relay Cable (<i>Not Shown</i>)
4	EMCBW5218	WarmFlo Control Relay Cable (<i>Not Shown</i>)

EM-WU153D5-SL2 EM-WU153D8-SL2		
1	WF5637SL2	WarmFlo SL2 Control Board
1a	UIC9266 R-	Microchip v. 18.0*
2	5650	Square D 30-Amp Circuit Breaker
2	5652	Square D 60-Amp Circuit Breaker
3	EMCBW5215	AC to DC Relay Cable (<i>Not Shown</i>)
4	EMCBW5216	WarmFlo Control Relay Cable (<i>Not Shown</i>)

EM-WU204D5-SL2 EM-WU204D8-SL2		
1	WF5637SL2	WarmFlo SL2 Control Board
1a	UIC9266 R-	Microchip v. 18.0*
2	5652	Square D 60-Amp Circuit Breaker
3	EMCBW5213	AC to DC Relay Cable (<i>Not Shown</i>)
4	EMCBW5214	WarmFlo Control Relay Cable (<i>Not Shown</i>)

EM-WU254D8-SL2		
1	WF5637SL2	WarmFlo SL2 Control Board
1a	UIC9266 R-	Microchip v. 18.0*
2	5650	Square D 30-Amp Circuit Breaker
2	5652	Square D 60-Amp Circuit Breaker
3	EMCBW5211	AC to DC Relay Cable (<i>Not Shown</i>)
4	EMCBW5212	WarmFlo Control Relay Cable (<i>Not Shown</i>)

Replacement Part #		Description
EM-WU102D5-SLC EM-WU102D8-SLC		
1	WF5637SLC	WarmFlo SLC Control Board
1a	UIC9266 R-	Microchip v. 17.0*
2	5652	Square D 60-Amp Circuit Breaker
3	EMCBW5217	AC to DC Relay Cable (<i>Not Shown</i>)
4	EMCBW5218	WarmFlo Control Relay Cable (<i>Not Shown</i>)

EM-WU153D5-SLC EM-WU153D8-SLC		
1	WF5637SLC	WarmFlo SLC Control Board
1a	UIC9266 R-	Microchip v. 17.0*
2	5650	Square D 30-Amp Circuit Breaker
2	5652	Square D 60-Amp Circuit Breaker
3	EMCBW5215	AC to DC Relay Cable (<i>Not Shown</i>)
4	EMCBW5216	WarmFlo Control Relay Cable (<i>Not Shown</i>)

EM-WU204D5-SLC EM-WU204D8-SLC		
1	WF5637SLC	WarmFlo SLC Control Board
1a	UIC9266 R-	Microchip v. 17.0*
2	5652	Square D 60-Amp Circuit Breaker
3	EMCBW5213	AC to DC Relay Cable (<i>Not Shown</i>)
4	EMCBW5214	WarmFlo Control Relay Cable (<i>Not Shown</i>)

EM-WU254D8-SLC		
1	WF5637SLC	WarmFlo SLC Control Board
1a	UIC9266 R-	Microchip v. 17.0*
2	5650	Square D 30-Amp Circuit Breaker
2	5652	Square D 60-Amp Circuit Breaker
3	EMCBW5211	AC to DC Relay Cable (<i>Not Shown</i>)
4	EMCBW5212	WarmFlo Control Relay Cable (<i>Not Shown</i>)

EM-WU102D5-SLT EM-WU102D8-SLT		
1	WF5641SLT	WarmFlo SLT Control Board
1a	UIC9266 R-130	Microchip v. 17.3*
2	5652	Square D 60-Amp Circuit Breaker
3	EMCBW5215	AC to DC Relay Cable (<i>Not Shown</i>)
4	EMCBW5218	WarmFlo Control Relay Cable (<i>Not Shown</i>)

EM-WU153D5-SLT EM-WU153D8-SLT		
1	WF5641SLT	WarmFlo SLT Control Board
1a	UIC9266 R-130	Microchip v. 17.3*
2	5650	Square D 30-Amp Circuit Breaker
2	5652	Square D 60-Amp Circuit Breaker
3	EMCBW5215	AC to DC Relay Cable (<i>Not Shown</i>)
4	EMCBW5218	WarmFlo Control Relay Cable (<i>Not Shown</i>)

EM-WU204D5-SLT EM-WU204D8-SLT		
1	WF5641SLT	WarmFlo SLT Control Board
1a	UIC9266 R-130	Microchip v. 17.3*
2	5652	Square D 60-Amp Circuit Breaker
3	EMCBW5215	AC to DC Relay Cable (<i>Not Shown</i>)
4	EMCBW5218	WarmFlo Control Relay Cable (<i>Not Shown</i>)

Common Parts for the EM-WU****-SLT Series		
13	EM5642	SLT I/F (<i>Not Shown</i>)
14	EMCBW5214	SLT I/F Control Cable (<i>Not Shown</i>)

Common Parts for the EM-WU****-SL* Series		
5	WFPDC5632	Relay Driver Board
6	4038KIT	50-Amp Triac Kit
7	5128	30-Amp DC Relay
8	5633	118° Auto High Limit
9	EM5729	High Limit Probe
10	WFS25F	Outdoor Sensor
11	WFS5F	Duct Sensor
12	EM5620	2.5 kW SpinFin Element