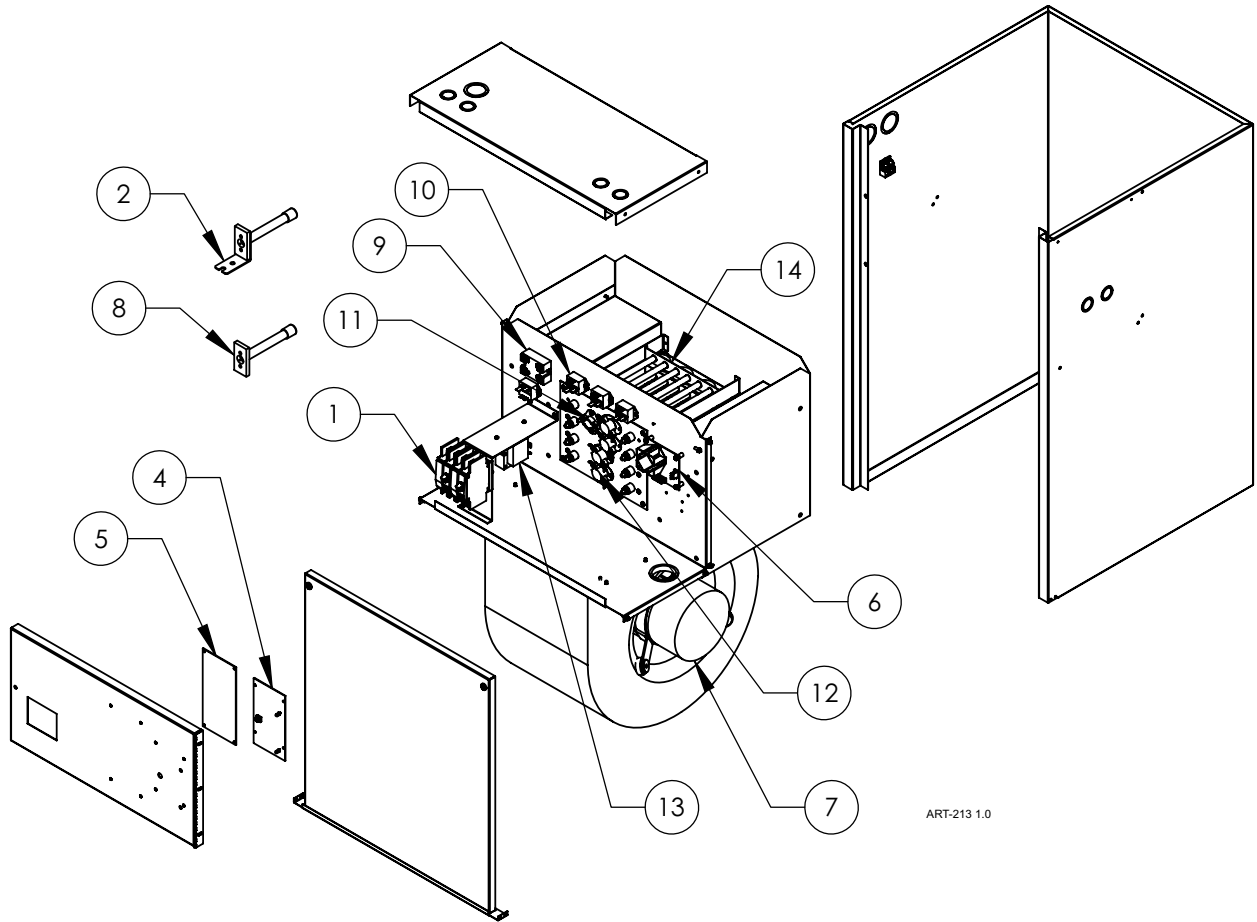


WarmFlo® Air Handler/Electric Furnace

HE-*-**-21



ART-213 1.0

Replacement Part #	Description	
--------------------	-------------	--

HE-A-10-21		
1	5652	Square D 60-Amp Circuit Breaker
3	HECBW5850	21" WarmFlo Relay Cable (<i>Not Shown</i>)
3	HECBW5856	AC/DC Relay Cable (<i>Not Shown</i>)

HE-A-15-21		
1	5650	Square D 30-Amp Circuit Breaker
1	5652	Square D 60-Amp Circuit Breaker
3	HECBW5849	21" WarmFlo Relay Cable (<i>Not Shown</i>)
3	HECBW5855	AC/DC Relay Cable (<i>Not Shown</i>)

HE-A-20-21		
1	5652	Square D 60-Amp Circuit Breaker
3	HECBW5846	21" WarmFlo Relay Cable (<i>Not Shown</i>)
3	HECBW5847	AC/DC Relay Cable (<i>Not Shown</i>)

HE-H-10-21		
1	5652	Square D 60-Amp Circuit Breaker
2	WFS25F	Outdoor Sensor
3	HECBW5850	24" WarmFlo Relay Cable (<i>Not Shown</i>)
3	HECBW5856	AC/DC Relay Cable (<i>Not Shown</i>)

HE-H-15-21		
1	5650	Square D 30-Amp Circuit Breaker
1	5652	Square D 60-Amp Circuit Breaker
2	WFS25F	Outdoor Sensor
3	HECBW5849	21" WarmFlo Relay Cable (<i>Not Shown</i>)
3	HECBW5855	AC/DC Relay Cable (<i>Not Shown</i>)

Replacement Part #	Description	
--------------------	-------------	--

HE-H-20-21		
1	5652	Square D 60-Amp Circuit Breaker
2	WFS25F	Outdoor Sensor
3	HECBW5846	21" WarmFlo Relay Cable (<i>Not Shown</i>)
3	HECBW5847	AC/DC Relay Cable (<i>Not Shown</i>)

Common Parts for the HE-*-**-21		
4	WF2EM	WarmFlo Control Board
4a	UIC9266 R-080	Microchip v. 2.3* (Specify Code – AH, AHS)
5	HEIBG6707	ECM Motor Control Board
6	WFPDC5632	AC/DC Power Supply Board
7	5850	½ HP ECM Motor
8	WFS5F	Supply Sensor
9	4038KIT	50-Amp Triac Kit
10	5127	25-Amp DC Relay
11	5636	135° High Limit
12	6630	150° High Limit
13	5541	40VA Transformer with Pigtailed
14	6615	4.8 kW Element – 10"
15	HECBW5843	Motor Power Cable (<i>Not Shown</i>)
16	HECBW5844	Motor Control Cable (<i>Not Shown</i>)
17	HECBW5845	Interface Cable (<i>Not Shown</i>)