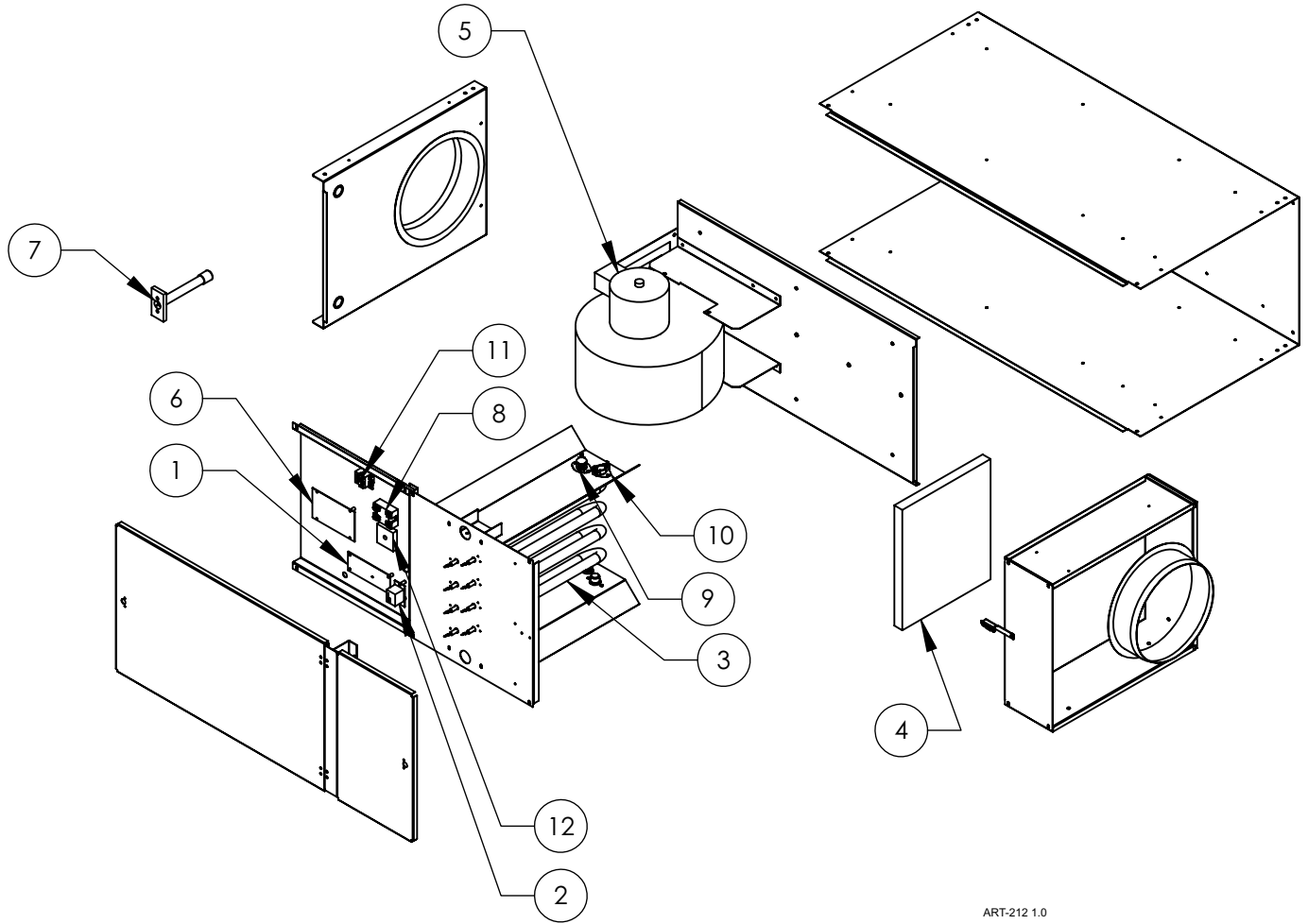


WarmFlo® Make-Up Air Heater

EM-WH***** Series



ART-212 1.0

Replacement Part #	Description
--------------------	-------------

EM-WH0515J	
1	WFCD5614 2.5 kW and 5kW Control Board
1a	UIC9769 R-025 Microchip v.11.3* (Specify Code – B, C, D, E, H) (For Heaters Manufactured After 7/2004)
1b	UIC9267 R-097 Microchip v. 1.2* (Specify Code – B, C, D, E, H) (For Heaters Manufactured Before 7/2004)
3	EM5621 2.5 kW Round Element
4	5712 13" x 11" Filter
5	5717 300 CFM Blower Motor

EM-WH1025K	
1	WFCD25614 10kW Control Board
1a	UIC9769 R-041 Microchip v.12.3* (Specify Code – B, C, D, E, H) (For Heaters Manufactured After 7/2004)
1b	UIC9267 R-099 Microchip v. 2.2* (Specify Code – B, C, D, E, H) (For Heaters Manufactured Before 7/2004)
2	EMR1B8102B Relay Board
3	EM5620 2.5 kW SpinFin Element
4	5722 18" x 15.5" Filter
5	5719 700 CFM Blower Motor

Replacement Part #	Description
--------------------	-------------

Common Parts for the EM-WH*****	
6	EMBRM5711 Relay / Transformer Board
7	WFS3 Duct Sensor (For Heaters Manufactured After 7/2004)
7	@WFSST2FT Duct Sensor (For Heaters Manufactured Before 7/2004)
8	4037KIT 50-Amp Triac Kit
9	5636 135° High Limit
10	6630 150° High Limit
11	6636 Terminal Block
12	9481 Phase Controller