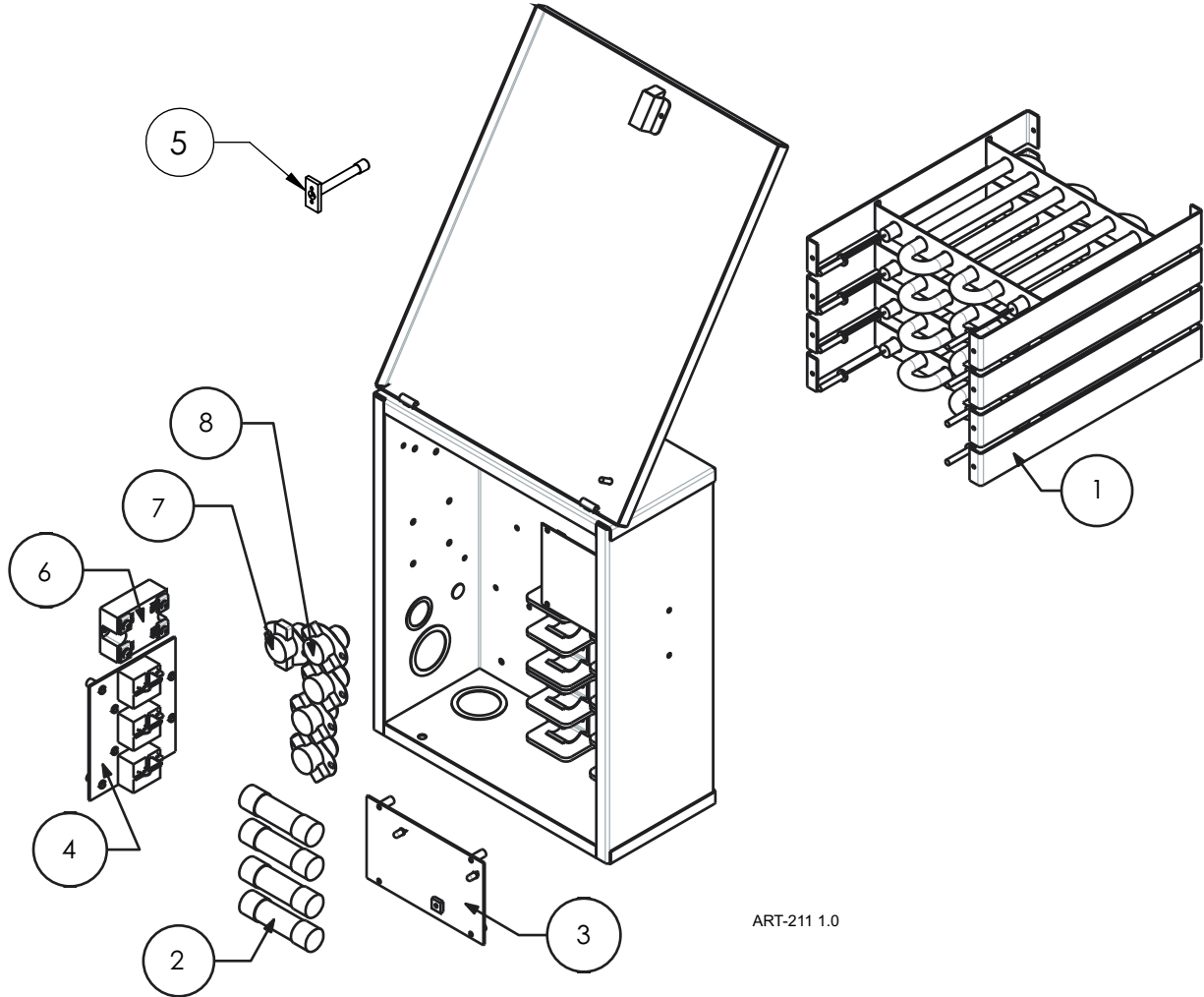


WarmFlo® Make-Up Air Heater

EM-WM***** Series



ART-211 1.0

Replacement Part #	Description
EM-WM1134H	
1	6615 4.8 kW Element – 10"
2	UFUSE5144 40-Amp Fuse
EM-WM1535L	
1	6617 4.8 kW Element – 16"
2	UFUSE6640 50-Amp Fuse
2	UFUSE5141 30-Amp Fuse
EM-WM1536L	
1	6612 5 kW Element 208V, 3-Phase
2	UFUSE6640 50-Amp Fuse
EM-WM2035L	
1	6617 4.8 kW Element – 16"
2	UFUSE6640 50-Amp Fuse

Replacement Part #	Description
Common Parts for the EM-WM*****	
3	WF2WE WarmFlo II Control Board WE / WM
3a	UIC9266 R-051 Microchip v. 3.2* (Specify Code - B, C, D, E, H) (For Heaters Manufactured After 7/2004)
3b	UIC9266 R-100 Microchip v. 3.1* (Specify Code - B, C, D, E, H) (For Heaters Manufactured Before 7/2004)
4	WFR3T5616 Relay Board
5	WFS5F Duct Sensor (For Heaters Manufactured After 7/2004)
5	WFSSF Duct Sensor (For Heaters Manufactured Before 7/2004)
6	4037KIT 50-Amp Triac
7	5636 135° High Limit
8	6630 150° High Limit