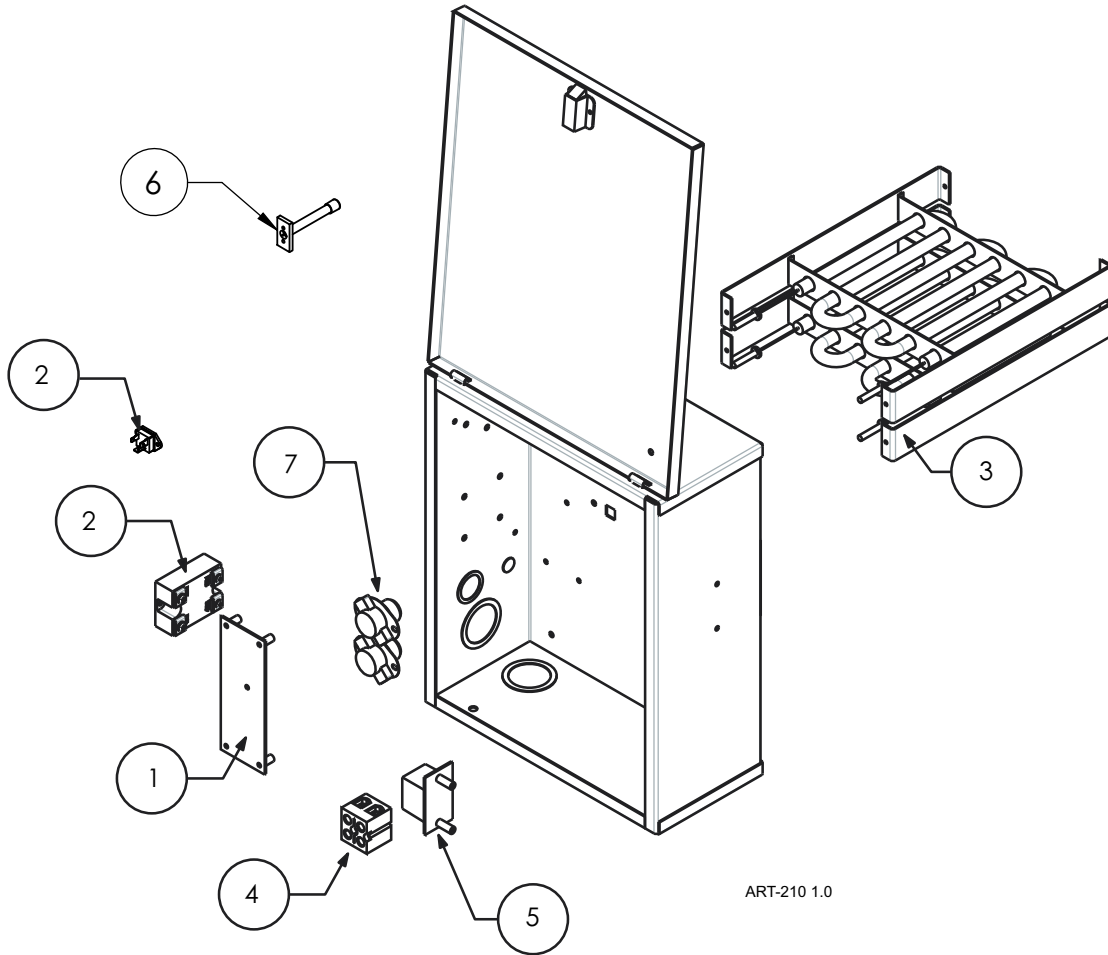


WarmFlo® Make-Up Air Heater

EM-WC***** Series



ART-210 1.0

Replacement Part #	Description
--------------------	-------------

EM-WC0313H	
1	WFCDB5614 2.5 kW and 5kW Control Board
1a	UIC9769 R-025 Microchip v.11.3* (Specify Code – B, C, D, E, H) (For Heaters Manufactured After 7/2004)
1b	UIC9267 R-097 Microchip v. 1.2* (Specify Code – B, C, D, E, H) (For Heaters Manufactured Before 7/2004)
2	WF4036 30-Amp Triac Kit
3	Element <i>The 2.5 kW element is longer available. For element replacement purchase part # 6615 4.8 kW Element and part # 4037KIT 50-Amp Triac Kit.</i>

EM-WC0515H	
1	WFCDB5614 2.5 kW and 5kW Control Board
1a	UIC9769 R-025 Microchip v.11.3* (Specify Code – B, C, D, E, H) (For Heaters Manufactured After 7/2004)
1b	UIC9267 R-097 Microchip v. 1.2* (Specify Code – B, C, D, E, H) (For Heaters Manufactured Before 7/2004)
2	4037KIT 50-Amp Triac Kit
3	6615 4.8 kW Element – 10"

EM-WC0515L	
1	WFCDB5614 2.5 kW and 5kW Control Board
1a	UIC9769 R-025 Microchip v.11.3* (Specify Code – B, C, D, E, H) (For Heaters Manufactured After 7/2004)
1b	UIC9267 R-097 Microchip v. 1.2* (Specify Code – B, C, D, E, H) (For Heaters Manufactured Before 7/2004)
2	4037KIT 50-Amp Triac Kit
3	6617 4.8 kW Element – 16"

Replacement Part #	Description
--------------------	-------------

EM-WC1025H	
1	WFCDB5614 10kW Control Board
1a	UIC9769 R-041 Microchip v.12.3** (Specify Code – B, C, D, E, H) (For Heaters Manufactured After 7/2004)
1b	UIC9267 R-099 Microchip v. 2.2* (Specify Code – B, C, D, E, H) (For Heaters Manufactured Before 7/2004)
2	4037KIT 50-Amp Triac Kit
3	6615 4.8 kW Element – 10"
4	6636 Terminal Block
5	EMR1B8102B Relay Board

EM-WC1025L	
1	WFCDB5614 10kW Control Board
1a	UIC9769 R-041 Microchip v.12.3** (Specify Code – B, C, D, E, H) (For Heaters Manufactured After 7/2004)
1b	UIC9267 R-099 Microchip v. 2.2* (Specify Code – B, C, D, E, H) (For Heaters Manufactured Before 7/2004)
2	4037KIT 50-Amp Triac Kit
3	6617 4.8 kW Element – 16"
4	6636 Terminal Block
5	EMR1B8102B Relay Board

Common Parts for the EM-WC*****		
6	WFS5	Duct Sensor (For Heaters Manufactured After 7/2004)
6	@WFSST10FT	Duct Sensor (For Heaters Manufactured Before 7/2004)
7	6630	150° High Limit