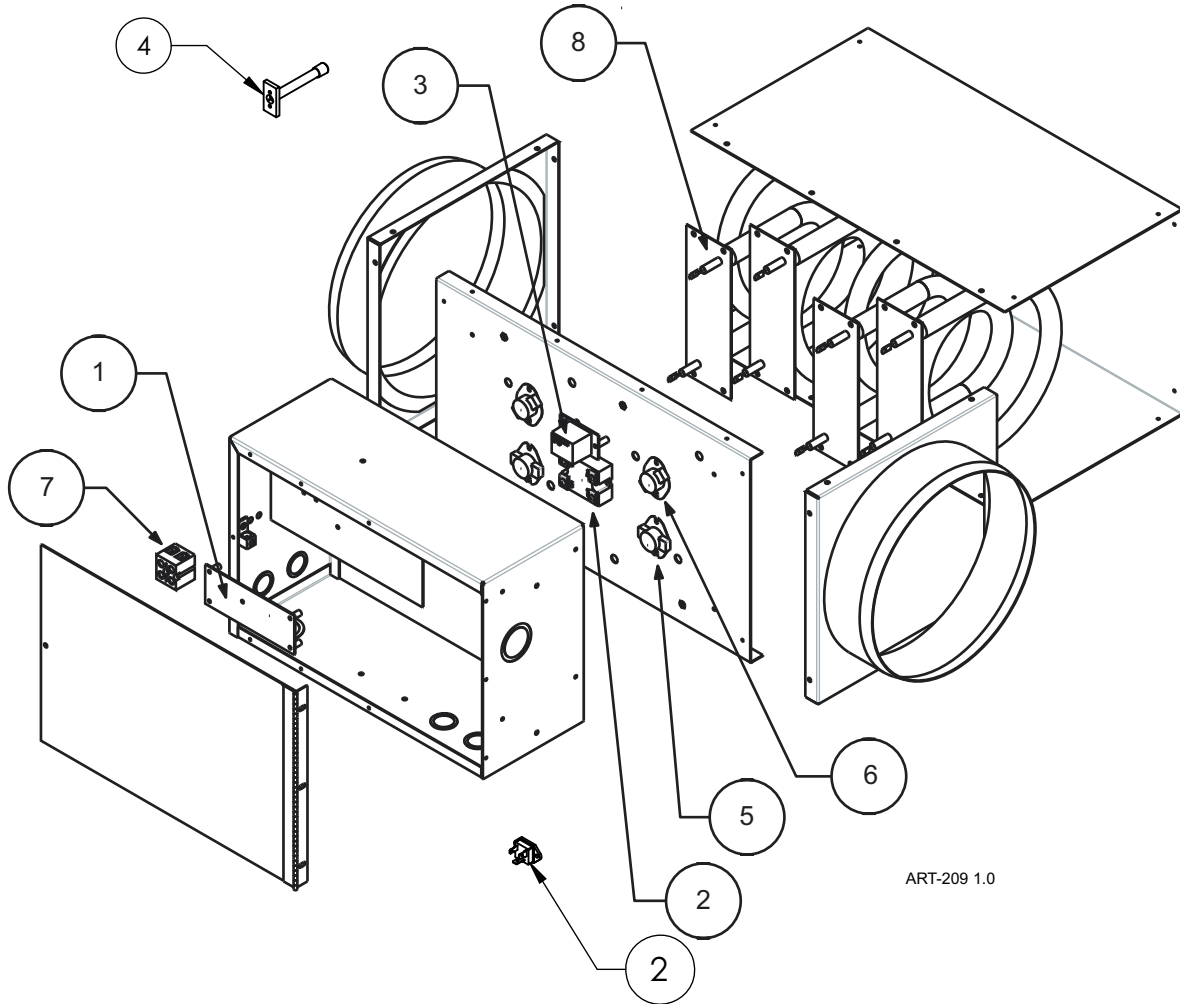


WarmFlo® Make-Up Air Heater

EM-WX***** Series



Replacement Part #	Description
--------------------	-------------

EM-WX0212R		
1	WFCDB5614	2.5 kW and 5kW Control Board
1a	UIC9769 R-092	Microchip v.11.3* (Specify Code – B, C, D, E, H) (For Heaters Manufactured After 7/2004)
1b	UIC9267 R-098	Microchip v. 1.2* (Specify Code – B, C, D, E, H) (For Heaters Manufactured Before 7/2004)
2	WF4036	30-Amp Triac Kit

EM-WX0515R		
1	WFCDB5614	2.5 kW and 5kW Control Board
1a	UIC9769 R-092	Microchip v.11.3* (Specify Code – B, C, D, E, H) (For Heaters Manufactured After 7/2004)
1b	UIC9267 R-098	Microchip v. 1.2* (Specify Code – B, C, D, E, H) (For Heaters Manufactured Before 7/2004)
2	4037KIT	50-Amp Triac Kit

Replacement Part #	Description
--------------------	-------------

EM-WX1025R		
1	WFCDB5614	10kW Control Board
1a	UIC9769 R-041	Microchip v.12.3** (Specify Code – B, C, D, E, H) (For Heaters Manufactured After 7/2004)
1b	UIC9267 R-099	Microchip v. 2.2* (Specify Code – B, C, D, E, H) (For Heaters Manufactured Before 7/2004)
2	4037KIT	50-Amp Triac Kit
3	EMR1B8102B	Relay Board

Common Parts for the EM-WX*****		
4	WFS3	Duct Sensor (For Heaters Manufactured After 7/2004)
4	@WFSST2FT	Duct Sensor (For Heaters Manufactured Before 7/2004)
5	5636	135° High Limit
6	6630	150° High Limit
7	6636	Terminal Block
8	EM5621	2.5 kW Round Element