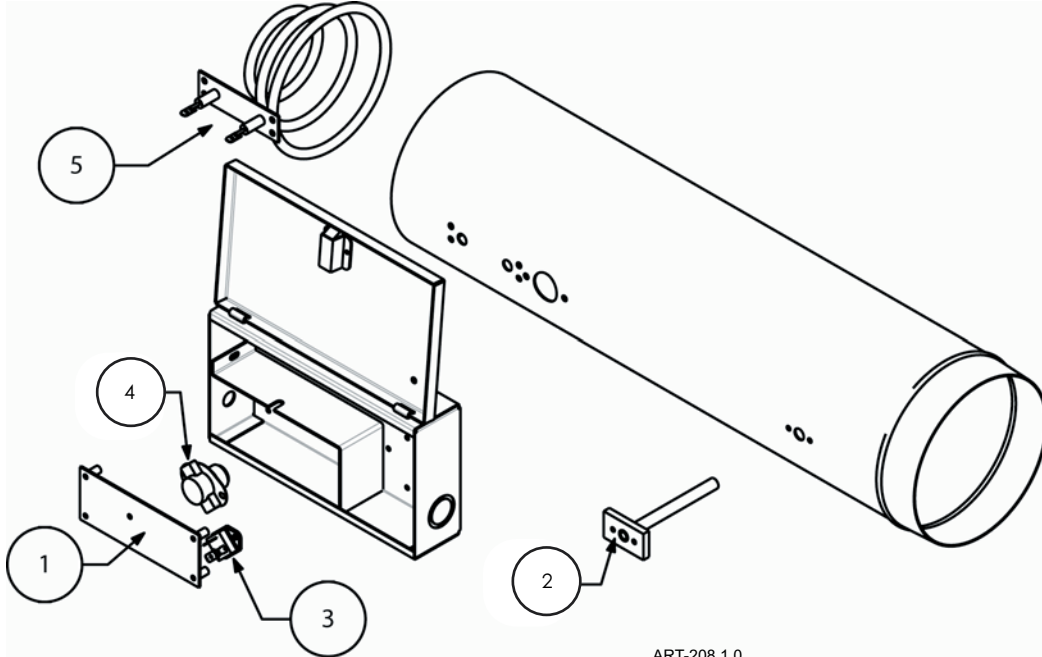


# WarmFlo® Make-Up Air Heater EM-WX0111R



ART-208 1.0

Replacement Part #	Description
<b>EM-WX0111R</b>	
1	WFCDB5614 Control Board
1a	UIC9769 R-092 Microchip v.11.3* (Specify Code – B, C, D, E, H) (For Heaters Manufactured After 7/2004)
1b	UIC9267 R-098 Microchip v. 1.2* (Specify Code – B, C, D, E, H) (For Heaters Manufactured Before 7/2004)
2	WFS3 Duct Sensor (For Heaters Manufactured After 7/2004)
2	@WFSST2FT Duct Sensor (For Heaters Manufactured Before 7/2004)
3	WF4036 30-Amp Triac Kit
4	6630 150° High Limit
5	6613 1 kW 120V Element
6	XGSK0100 Element Retaining Ring ( <i>Not Shown</i> )
7	WCORD4035 Power Cord ( <i>Not Shown</i> )