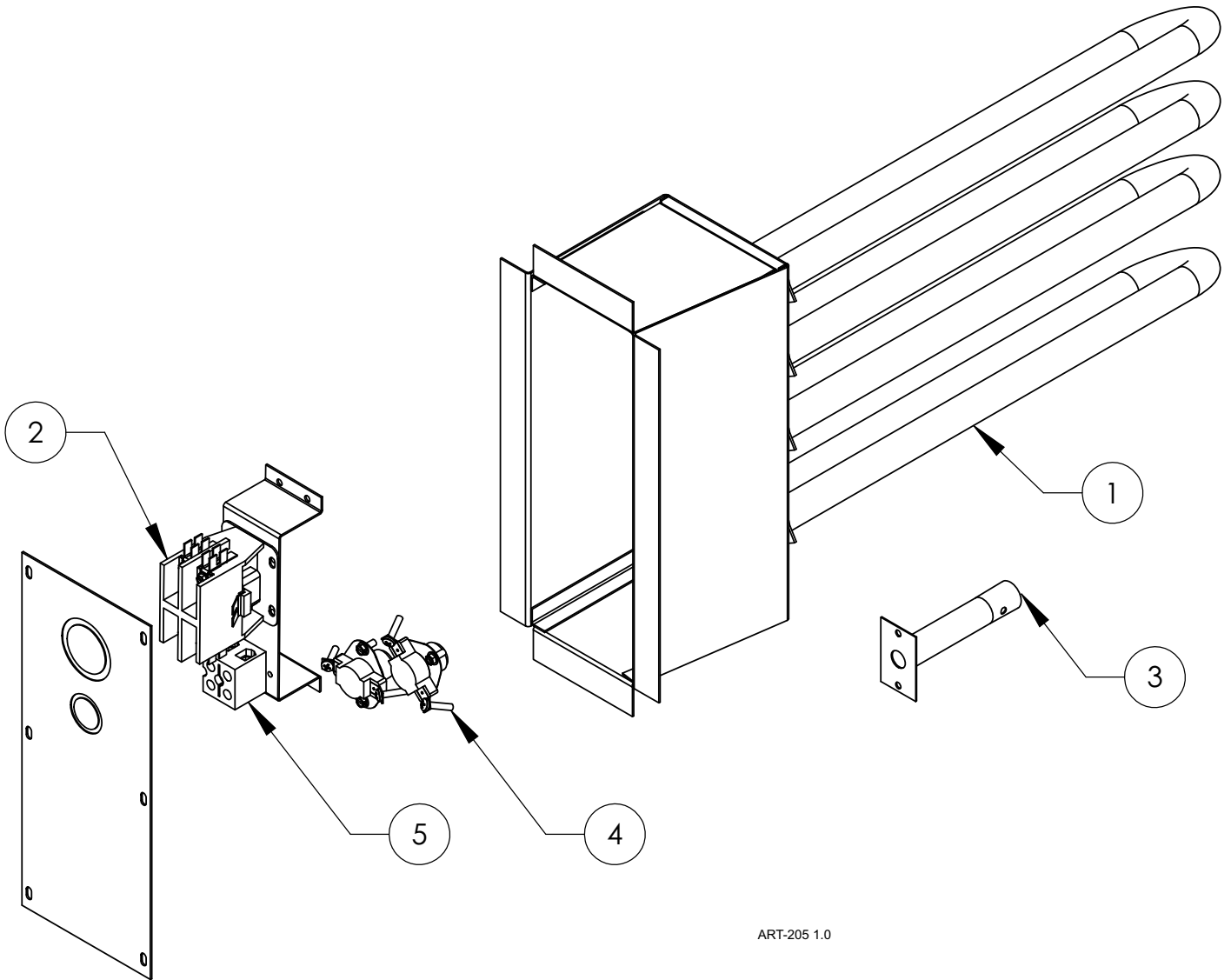


Custom Duct Heater EM-II05154 and EM-II10114



ART-205 1.0

Replacement Part #	Description	
EM-II05154 EM-II10114		
1	EM5620	2.5 kW SpinFin Element
2	5126	30-Amp Two Pole Contactor Relay
3	5629H	170° High Limit Probe Sensor
4	5635	170° Auto High Limit
5	6636	Terminal Block