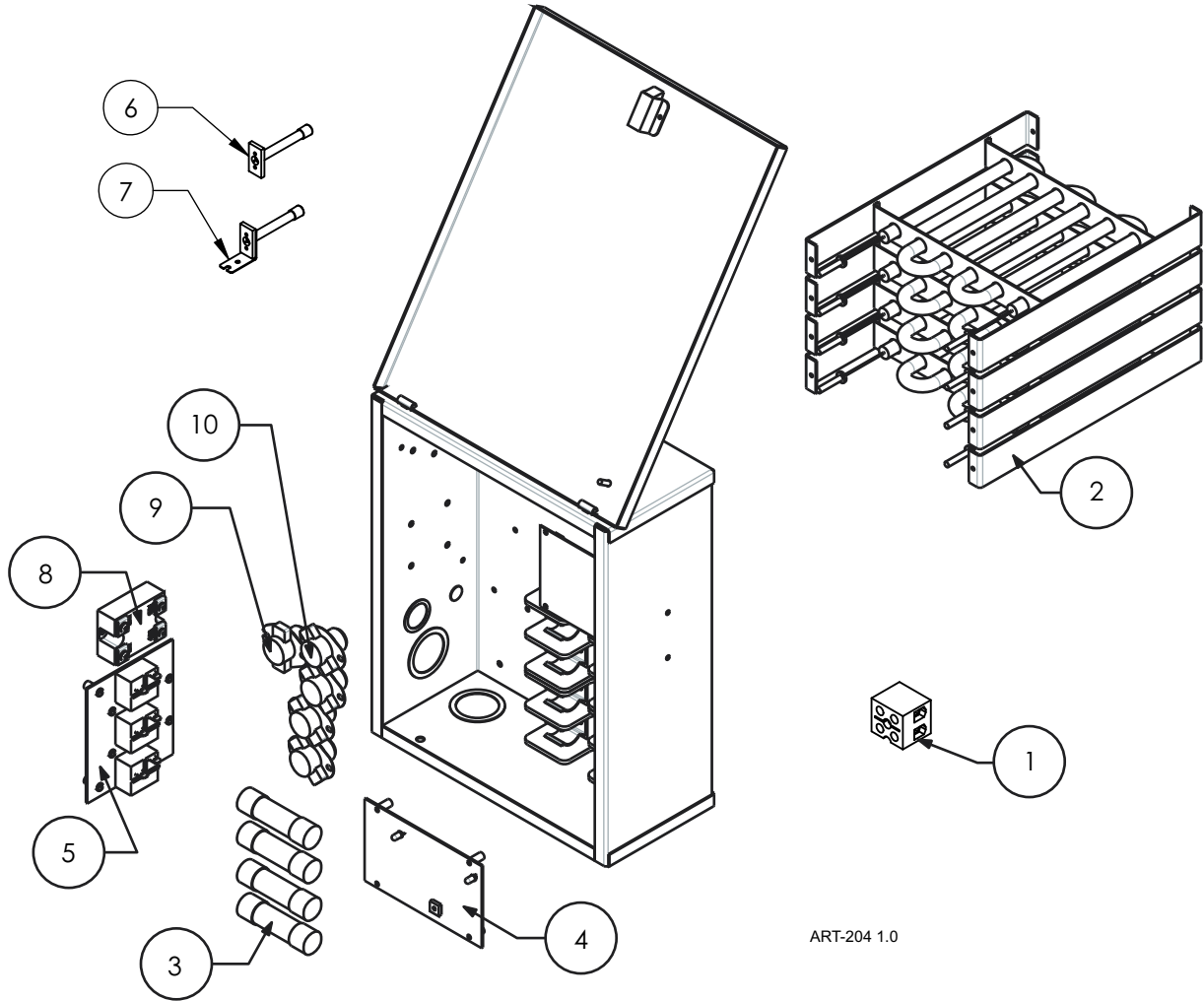


WarmFlo® Controlled Duct Heater

EM-WE***** Series



ART-204 1.0

Replacement Part #	Description
--------------------	-------------

<i>EM-WE1025C / EM-WE1025L</i>	
1	6636 Terminal Block
2	6617 4.8 kW Element – 16"

<i>EM-WE1025H</i>	
1	6636 Terminal Block
2	6615 4.8 kW Element – 10"

<i>EM-WE1535C / EM-WE1535L</i>	
2	6617 4.8 kW Element – 16"
3	UFUSE6640 50-Amp Fuse
3	UFUSE5141 30-Amp Fuse

<i>EM-WE1535H</i>	
2	6615 4.8 kW Element – 10"
3	UFUSE6640 50-Amp Fuse
3	UFUSE5141 30-Amp Fuse

<i>EM-WE2035C / EM-WE2035L</i>	
2	6617 4.8 kW Element – 16"
3	UFUSE6640 50-Amp Fuse

Replacement Part #	Description
--------------------	-------------

<i>EM-WE2035H</i>	
2	6615 4.8 kW Element – 10"
3	UFUSE6640 50-Amp Fuse

<i>Common Parts for the EM-WE*****</i>		
4	WF2WE	WarmFlo II Control Board
4a	UIC9266 R-080	Microchip v. 2.3* (Specify Code - B, C, D, E, H) (For Heaters Manufactured After 7/2004)
4b	UIC9266 R-096	Microchip v. 2.2* (Specify Code - B, C, D, E, H) (For Heaters Manufactured Before 7/2004)
5	WFR3T5616	Relay Board
6	WFS5F	Duct Sensor (For Heaters Manufactured After 7/2004)
6	WFS5F	Duct Sensor (For Heaters Manufactured Before 7/2004)
7	WFS25F	Outdoor Sensor (For Heaters Manufactured After 7/2004)
7	WFSOF	Outdoor Sensor (For Heaters Manufactured Before 7/2004)
8	4037KIT	50-Amp Triac
9	5636	135° High Limit
10	6630	150° High Limit