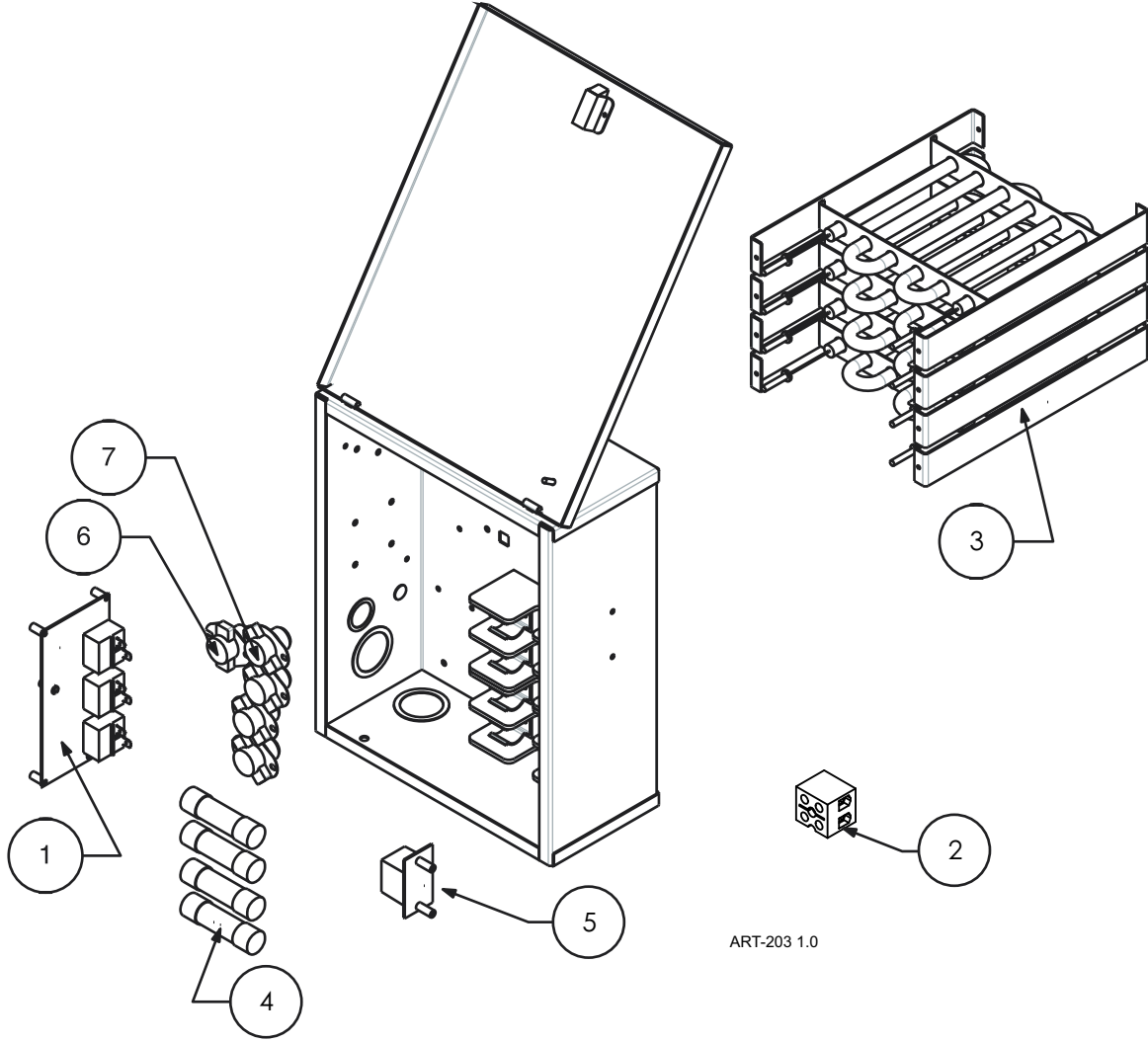


# Basic Element Duct Heater EM-DI\*\*\*\*\* Series



ART-203 1.0

| Replacement Part # | Description |  |
|--------------------|-------------|--|
|--------------------|-------------|--|

| <i>EM-DI1025C / EM-DI1025L</i> |           |                           |
|--------------------------------|-----------|---------------------------|
| 1                              | EMD2I6600 | Control Board 2-Stage     |
| 2                              | 6636      | Terminal Block            |
| 3                              | 6617      | 4.8 kW Element 240V – 16" |

| <i>EM-DI1025H</i> |           |                           |
|-------------------|-----------|---------------------------|
| 1                 | EMD2I6600 | Control Board 2-Stage     |
| 2                 | 6636      | Terminal Block            |
| 3                 | 6615      | 4.8 kW Element 240V – 10" |

| <i>EM-DI1535C / EM-DI1535L</i> |           |                           |
|--------------------------------|-----------|---------------------------|
| 1                              | EMD3I6600 | Control Board 3-Stage     |
| 3                              | 6617      | 4.8 kW Element 240V – 16" |
| 4                              | UFUSE6640 | 50-Amp Fuse               |
| 4                              | UFUSE5141 | 30-Amp Fuse               |

| <i>EM-DI1535H</i> |           |                           |
|-------------------|-----------|---------------------------|
| 1                 | EMD3I6600 | Control Board 3-Stage     |
| 3                 | 6615      | 4.8 kW Element 240V – 10" |
| 4                 | UFUSE6640 | 50-Amp Fuse               |
| 4                 | UFUSE5141 | 30-Amp Fuse               |

| Replacement Part # | Description |  |
|--------------------|-------------|--|
|--------------------|-------------|--|

| <i>EM-DI2035C / EM-DI2035L</i> |            |                           |
|--------------------------------|------------|---------------------------|
| 1                              | EMD3I6600  | Control Board 3-Stage     |
| 3                              | 6617       | 4.8 kW Element 240V – 16" |
| 4                              | UFUSE6640  | 50-Amp Fuse               |
| 5                              | EMR1B8102B | Relay Board (20 kW only)  |

| <i>EM-DI2035H</i> |            |                           |
|-------------------|------------|---------------------------|
| 1                 | EMD3I6600  | Control Board 3-Stage     |
| 3                 | 6615       | 4.8 kW Element 240V – 10" |
| 4                 | UFUSE6640  | 50-Amp Fuse               |
| 5                 | EMR1B8102B | Relay Board (20 kW only)  |

| <i>Common Parts for the EM-DI*****</i> |      |                 |
|--|------|-----------------|
| 6                                      | 5636 | 135° High Limit |
| 7                                      | 6630 | 150° High Limit |