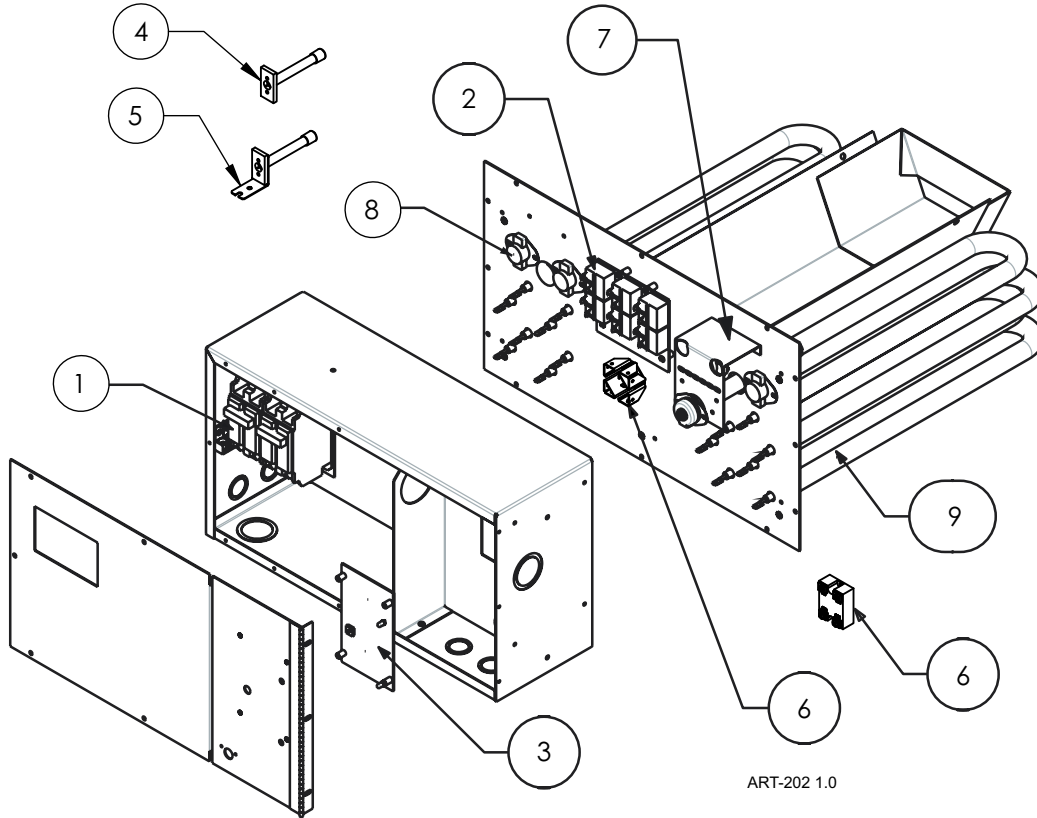


Electro-Mate® WarmFlo® EM-WV***** Series



ART-202 1.0

Replacement Part #		Description
EM-WV15355 / EM-WV15358		
1	5639	GE 30-Amp Circuit Breaker
1	5640	GE 60-Amp Circuit Breaker
EM-WV20355 / EM-WV20358		
1	5640	GE 60-Amp Circuit Breaker

Replacement Part #		Description
Common Parts for the EM-WV***** Series		
2	WFR6T5616	Relay Board, 3-Stage
3	WF2WE	WarmFlo II Control Board
3a	UIC9266 R-096	Microchip v. 2.2* (Specify Code – EMA, EMU, HPDH, HPDF, HPEL) (For Plenum Heaters Manufactured before 07/2004)
4	WFSSF	Duct Sensor
5	WFSOF	Outdoor Sensor
6	WF4037 (4036)	4036 Replacement Kit (30-Amp Triac)
7	EM5729	High Limit Probe
8	5633	118° Auto High Limit
9	EM5620	2.5 kW SpinFin Element