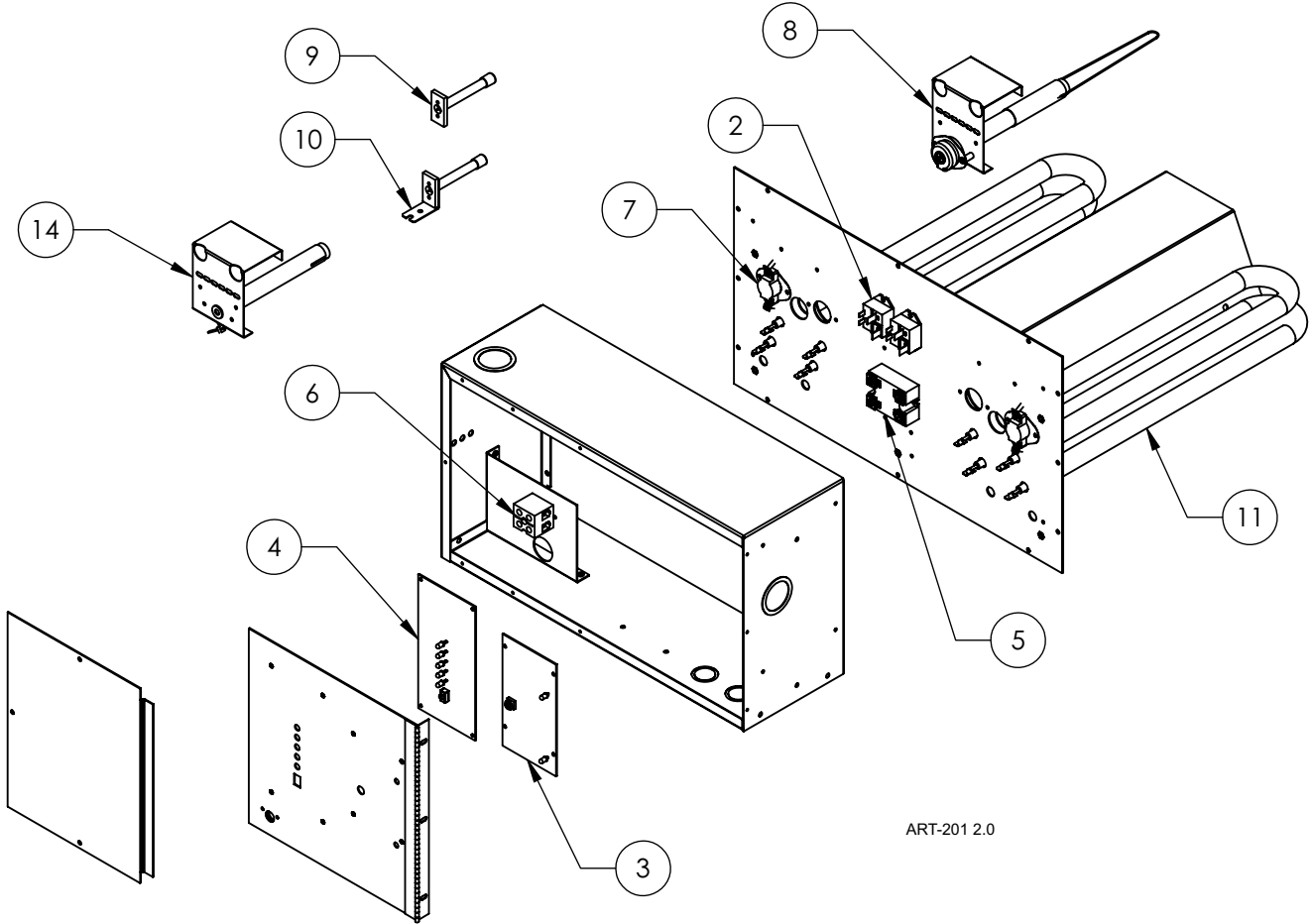


Electro-Mate® WarmFlo II® EM-WD***H* Series



ART-201 2.0

Replacement Part #	Description	
EM-WD051H5 EM-WD051H8		
1	WFCBW5693	Relay Wiring Harness (<i>Not Shown</i>)
EM-WD102H5 EM-WD102H8		
1	WFCBW5694	Relay Wiring Harness (<i>Not Shown</i>)
2	5127	25-Amp DC Relay

Replacement Part #	Description	
Common Parts for the EM-WD***H* Series		
3	WF2EM	WarmFlo II Control Board
3a	UIC9266 R-080	Microchip v. 2.3* (Specify Code – EMA, EMU, HPDH, HPDF, HPEL) (For Plenum Heaters Manufactured after 7/2004)
3b	UIC9266 R-096	Microchip v. 2.2* (Specify Code – EMA, EMU, HPDH, HPDF, HPEL) (For Plenum Heaters Manufactured before 07/2004)
4	WF6704EZ3	Control Board for Interface
5	4038KIT	50-Amp Triac Kit
6	6636	Terminal block
7	5633	118° Auto High Limit
8	EM5729	High Limit Probe
9	WFSSF	Duct Sensor (For Plenum Heaters Manufactured before 07/2004)
9	WFS5F	Duct Sensor (For Plenum Heaters Manufactured after 07/2004)
10	WFSOF	Outdoor Sensor (For Plenum Heaters Manufactured before 07/2004)
10	WFS25F	Outdoor Sensor (For Plenum Heaters Manufactured after 07/2004)
11	EM5620	2.5 kW SpinFin Element
12	WFCBW5602	Heater to Interface Module Wiring Harness (<i>Not Shown</i>)
13	UFUSE0440	2-Amp Fast Blow Fuse (<i>Not Shown</i>)
14	EM5724	Down Flow High Limit Probe (<i>Shipped Loose</i>)