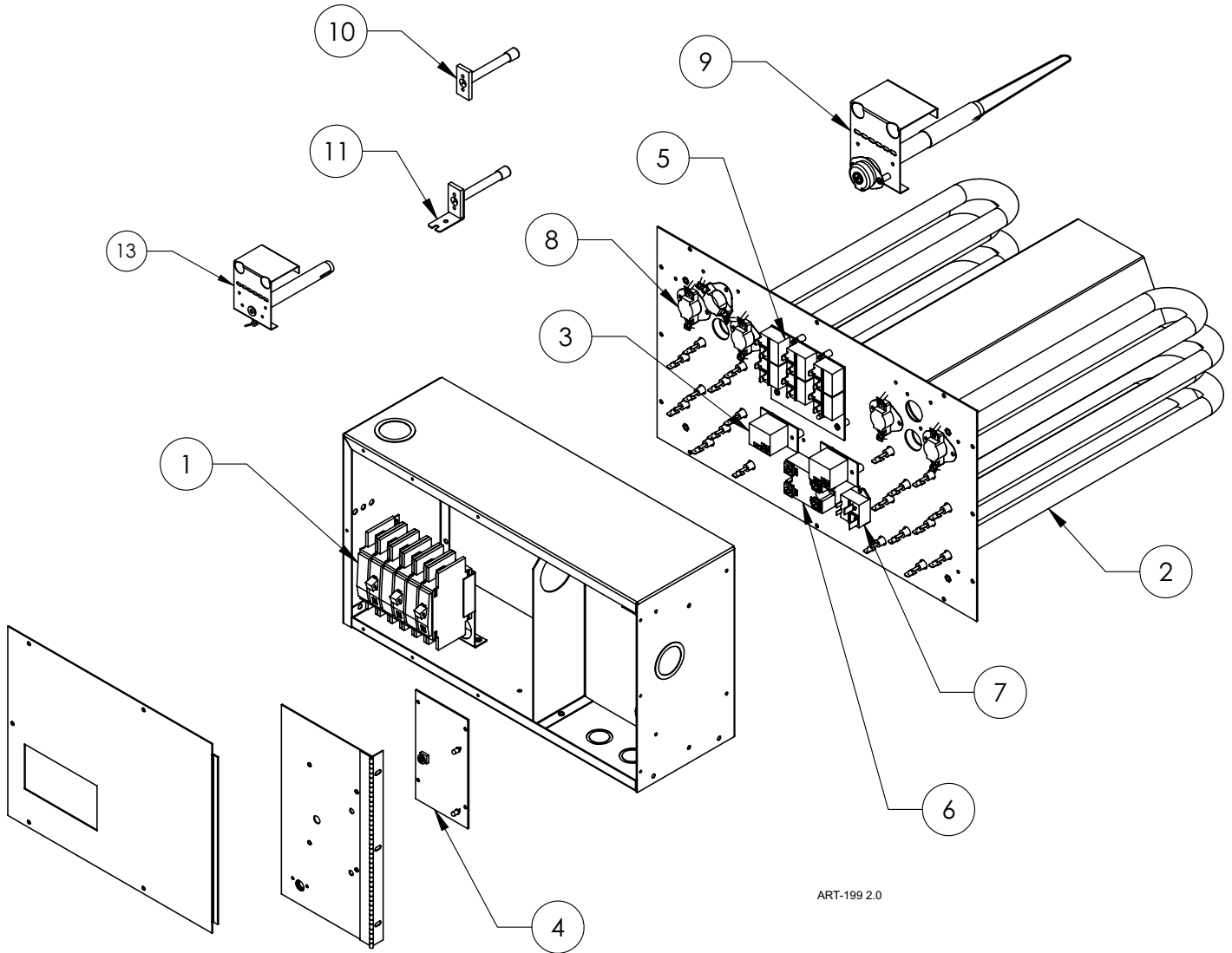


Electro-Mate® WarmFlo II®
EM-WD***** Series



ART-199 2.0

(SEE NEXT PAGE FOR PARTS LIST)

Electro-Mate® WarmFlo II®

EM-WD***** Series

Replacement Part #	Description
--------------------	-------------

EM-WD10255 EM-WD10258		
1	5640	GE 60-Amp Circuit Breaker
1	5652	Square D 60-Amp Circuit Breaker
2	EM5620	2.5 kW SpinFin Element

EM-WD14358		
1	5670	GE 50-Amp 3 Phase Circuit Breaker
1	5655	Square D 50-Amp 3 Phase Circuit Breaker
2	5622	2.5 kW Element - 208 3-Phase

EM-WD15355 EM-WD15358		
1	5639	GE 30-Amp Circuit Breaker
1	5640	GE 60-Amp Circuit Breaker
1	5650	Square D 30-Amp Circuit Breaker
1	5652	Square D 60-Amp Circuit Breaker
2	EM5620	2.5 kW SpinFin Element

EM-WD20455 EM-WD20458		
1	5640	GE 60-Amp Circuit Breaker
1	5652	Square D 60-Amp Circuit Breaker
2	EM5620	2.5 kW SpinFin Element

EM-WD22478		
1	5671	GE 80-Amp 3 Phase Circuit Breaker
1	5657	Square D 80-Amp 3 Phase Circuit Breaker
2	5622	2.5 kW Element - 208 3-Phase
3	EMR1B8102B	Upperstage Relay Board

EM-WD25458		
1	5639	GE 30-Amp Circuit Breaker
1	5640	GE 60-Amp Circuit Breaker
1	5650	Square D 30-Amp Circuit Breaker
1	5652	Square D 60-Amp Circuit Breaker
2	EM5620	2.5 kW SpinFin Element
3	EMR1B8102B	Upperstage Relay Board

Replacement Part #	Description
--------------------	-------------

Common Parts for the EM-WD***** Series		
4	WF2EM	WarmFlo II Control Board
4a	UIC9266 R-080	Microchip v. 2.3* (Specify Code – EMA, EMU, HPDH, HPDF, HPEL) (For Plenum Heaters Manufactured after 7/2004)
4b	UIC9266 R-096	Microchip v. 2.2* (Specify Code – EMA, EMU, HPDH, HPDF, HPEL) (For Plenum Heaters Manufactured before 07/2004)
5	WFRFT5616	Relay Board
6	4037KIT	50-Amp Triac Kit
7	5127	25-Amp DC Relay
8	5633	118° Auto High Limit
9	EM5729	High Limit Probe
10	WFSSF	Duct Sensor (For Plenum Heaters Manufactured before 07/2004)
10	WFS5F	Duct Sensor (For Plenum Heaters Manufactured after 07/2004)
11	WFSOF	Outdoor Sensor (For Plenum Heaters Manufactured before 07/2004)
11	WFS25F	Outdoor Sensor (For Plenum Heaters Manufactured after 07/2004)
12	UFUSE0440	2-Amp Fast Blow Fuse (<i>Not Shown</i>)
13	EM5724	Down Flow High Limit Probe (<i>Shipped Loose</i>)

Interfaces		
14	WF-LGR4	Heat Pump Thermostat Interface
14a	WF6708LGR4	Control Board for WF-LGR4
16	WF-EZ3	Heat Pump 4-wire Thermostat Interface
16a	WF6704EZ3	Control Board for WF-EZ3
17	WF-HP2	Two Speed Heat Pump Interface
17b	HP26706	Control Board for WF-HP2
18	WF-HE	Evolution™ and Infinity™ WarmFlo Interface
19	WF-EM3	Non-Heat Pump Interface
19a	WF6704EM3	Control Board for WF-EM3