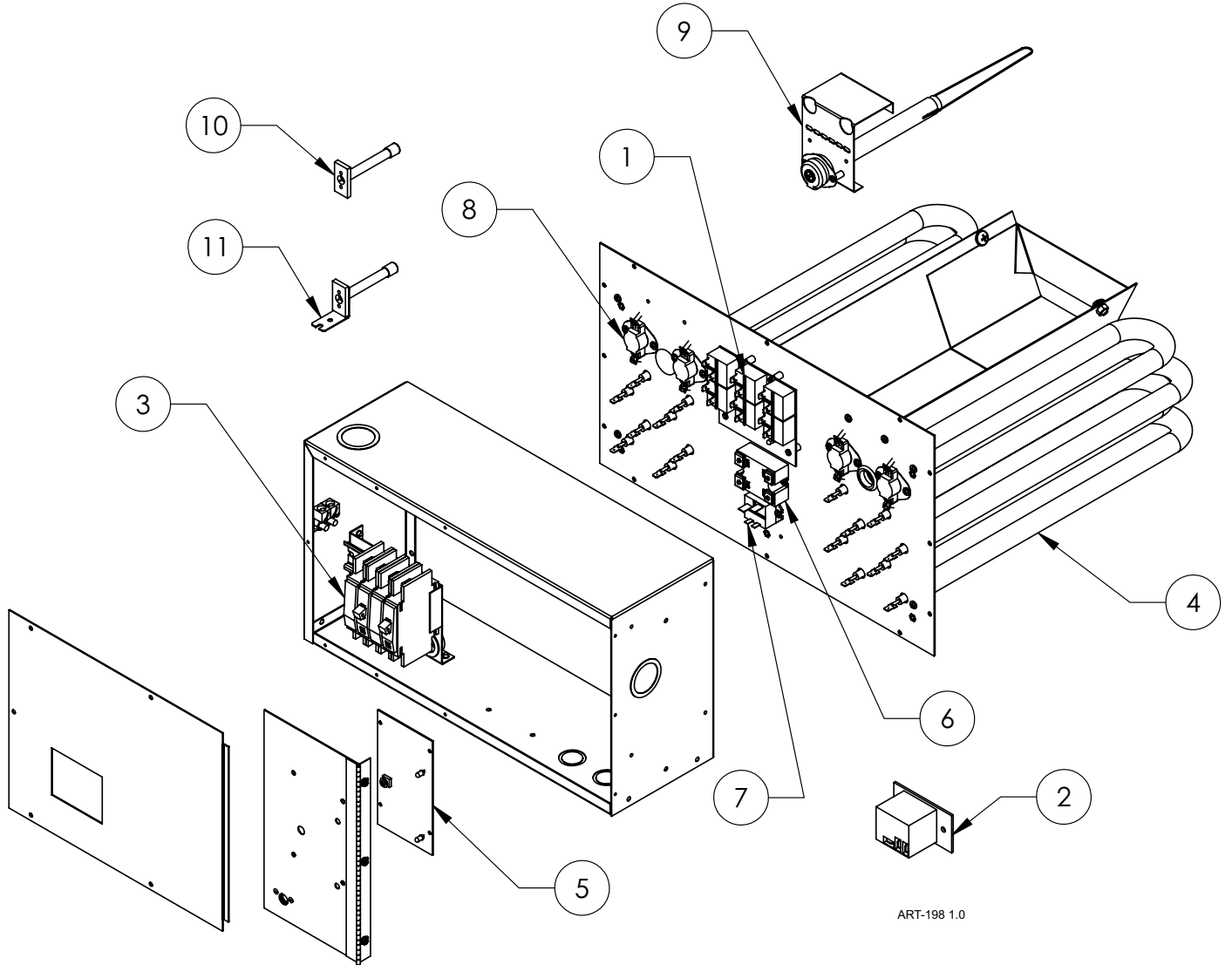


Electro-Mate® WarmFlo II® EM-WU***** Series



(SEE NEXT PAGE FOR PARTS LIST)

Electro-Mate® WarmFlo II®

EM-WU***** Series

Replacement Part #	Description	
--------------------	-------------	--

EM-WU1025 / EM-WU10258		
1	WFRFT5616	Relay Board
3	5640	GE 60-Amp Circuit Breaker
3	5652	Square D 60-Amp Circuit Breaker
4	EM5620	2.5 kW SpinFin Element

EM-WU14358		
1	WFRFT5616	Relay Board
3	5670	GE 50-Amp 3 Phase Circuit Breaker
3	5655	Square D 50-Amp 3 Phase Circuit Breaker
4	5622	2.5 kW Element - 208 3-Phase

EM-WU15355 / EM-WU15358		
1	WFRFT5616	Relay Board
3	5639	GE 30-Amp Circuit Breaker
3	5640	GE 60-Amp Circuit Breaker
3	5650	Square D 30-Amp Circuit Breaker
3	5652	Square D 60-Amp Circuit Breaker
4	EM5620	2.5 kW SpinFin Element

EM-WU20455 / EM-WU20458		
1	WFRFT5616	Relay Board
3	5640	GE 60-Amp Circuit Breaker
3	5652	Square D 60-Amp Circuit Breaker
4	EM5620	2.5 kW SpinFin Element

EM-WU22478		
1	WFRFT5616	Relay Board
2	EMR1B8102B	Upperstage Relay Board
3	5671	GE 80-Amp 3 Phase Circuit Breaker
3	5657	Square D 80-Amp 3 Phase Circuit Breaker
4	5622	2.5 kW Element - 208 3-Phase

EM-WU25458		
1	WFRFT5616	Relay Board
2	EMR1B8102B	Upperstage Relay Board
3	5639	GE 30-Amp Circuit Breaker
3	5640	GE 60-Amp Circuit Breaker
3	5650	Square D 30-Amp Circuit Breaker
3	5652	Square D 60-Amp Circuit Breaker
4	EM5620	2.5 kW SpinFin Element

Replacement Part #	Description	
--------------------	-------------	--

Common Parts for the EM-WU***** Series		
5	WF2EM	WarmFlo II Control Board
5a	UIC9266 R-080	Microchip v. 2.3* (Specify Code – EMA, EMU, HPDH, HPDF, HPEL) (For Plenum Heaters Manufactured after 7/2004)
5b	UIC9266 R-096	Microchip v. 2.2* (Specify Code – EMA, EMU, HPDH, HPDF, HPEL) (For Plenum Heaters Manufactured before 07/2004)
6	4037KIT	50-Amp Triac Kit
7	5127	25-Amp DC Relay
8	5633	118° Auto High Limit
9	EM5729	High Limit Probe
10	WFSSF	Duct Sensor (For Plenum Heaters Manufactured before 07/2004)
10	WFS5F	Duct Sensor (For Plenum Heaters Manufactured after 07/2004)
11	WFSOF	Outdoor Sensor (For Plenum Heaters Manufactured before 07/2004)
11	WFS25F	Outdoor Sensor (For Plenum Heaters Manufactured after 07/2004)
12	UFUSE0440	2-Amp Fast Blow Fuse (<i>Not Shown</i>)

Interfaces		
13	WF-LGR4	Heat Pump Thermostat Interface
13a	WF6708LGR4	Control Board for WF-LGR4
15	WF-EZ3	Heat Pump 4-wire Thermostat Interface
15a	WF6704EZ3	Control Board for WF-EZ3
16	WF-HP2	Two Speed Heat Pump Interface
16a	HP26706	Control Board for WF-HP2
17	WF-HE	Evolution™ and Infinity™ WarmFlo Interface
18	WF-EM3	Non-Heat Pump Interface
18a	WF6704EM3	Control Board for WF-EM3