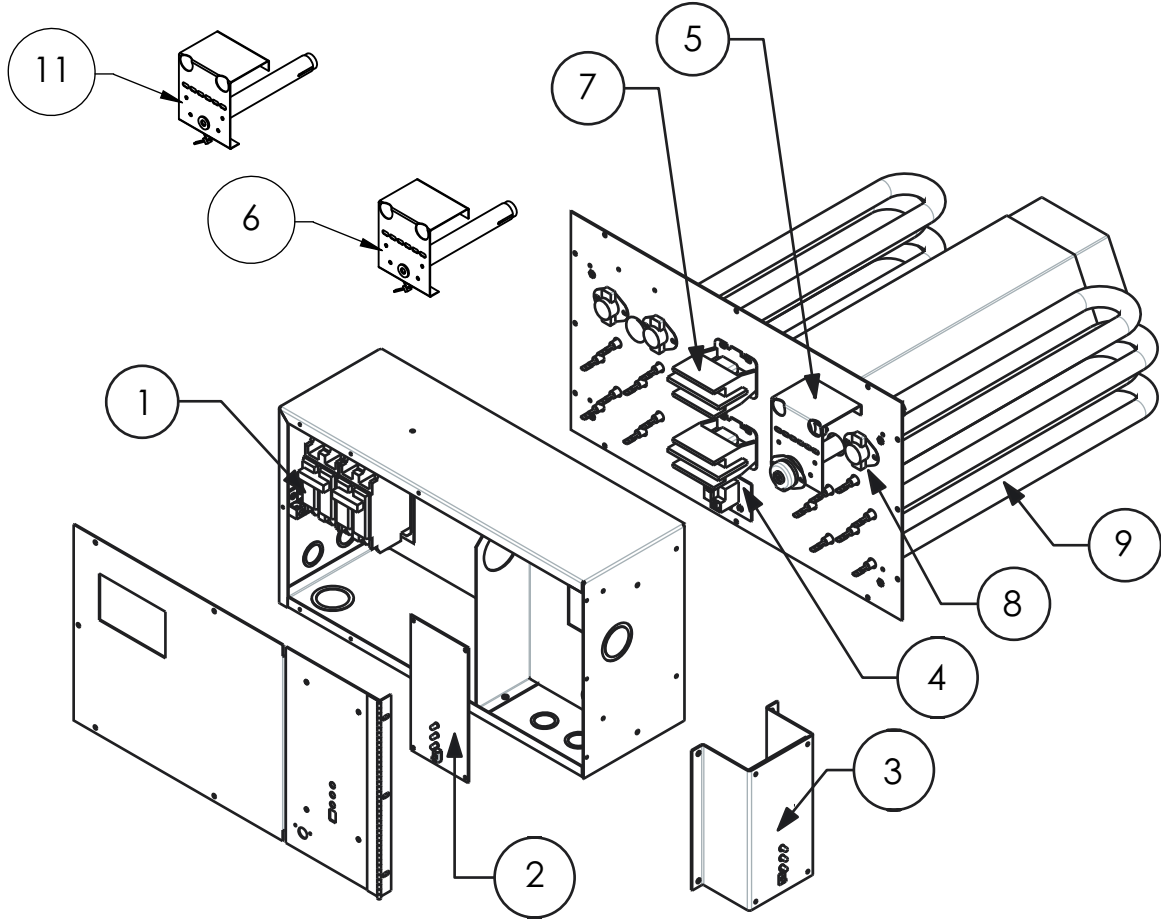


Electro-Mate® EM-LD***** Series



ART-196 2.0

Replacement Part #	Description	
EM-LD10115 EM-LD10118		
1	5640	GE 60-Amp Circuit Breaker
1	5652	Square D 60-Amp Circuit Breaker
EM-LD15275 EM-LD15278		
1	5641	GE 45-Amp Circuit Breaker
1	5651	Square D 45-Amp Circuit Breaker
EM-LD20215 EM-LD20218		
1	5640	GE 60-Amp Circuit Breaker
1	5652	Square D 60-Amp Circuit Breaker

Replacement Part #	Description	
Common Parts for the EM-LD***** Series		
2	EM5845	Dual Fuel Control (Door Mount)
3	EM5735C	Dual Fuel Control (Mounted on Black Bracket)
4	EM5626-2	Blower Relay Board
5	EM5729	High Limit Probe (For Plenum Heaters Manufactured after 11/2001)
6	EM5724	Blower Limit Probe
7	5126	30-Amp Two Pole Contactor Relay
8	5633	118° Auto High Limit
9	EM5620	2.5 kW SpinFin Element
10	UFUSE0440	2-Amp Fast Blow Fuse (<i>Not Shown</i>)
11	EM5714	Down Flow High Limit Probe (<i>Shipped Loose</i>)