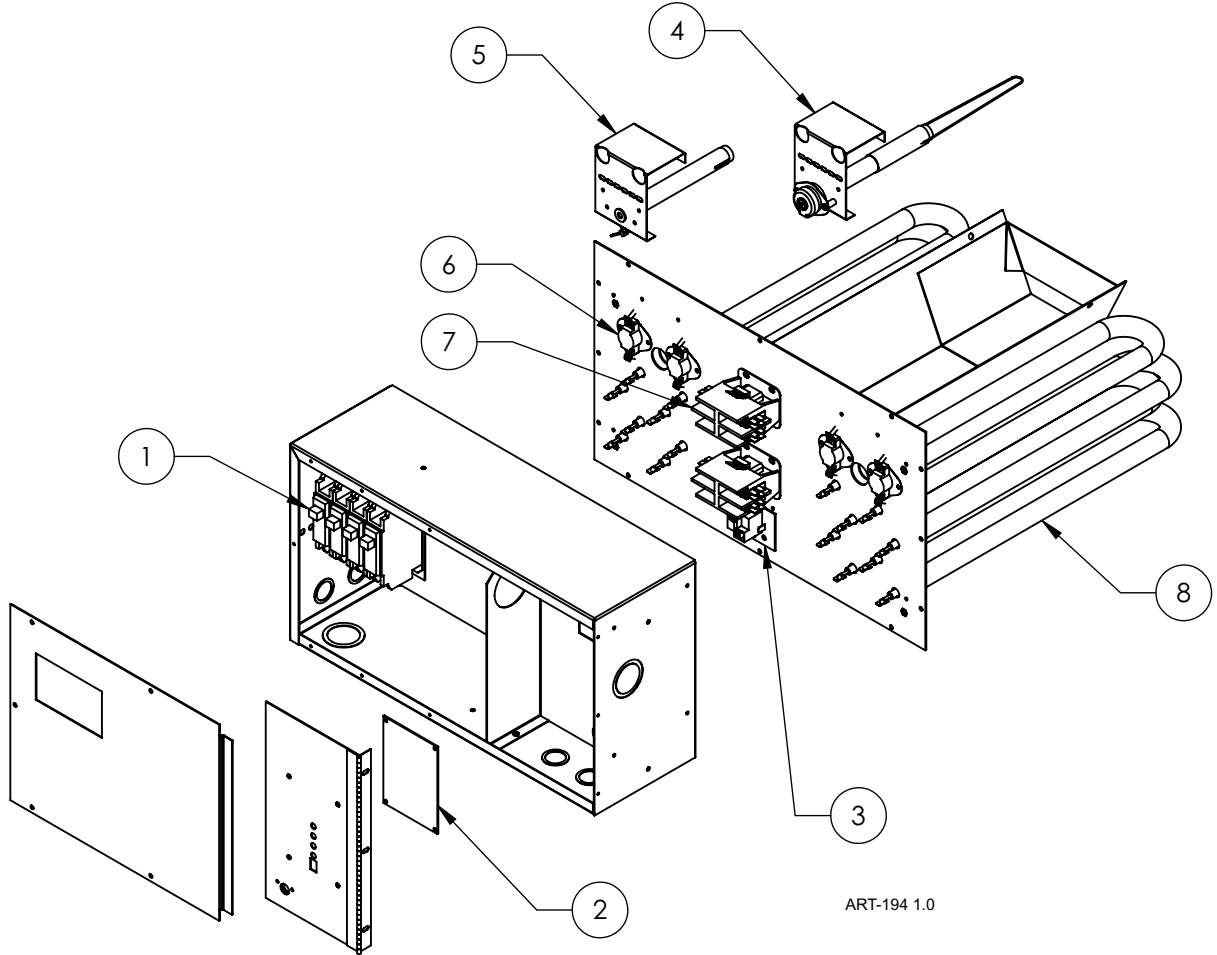


# Electro-Mate® EM-EU\*\*\*\*\* Series



Replacement Part #		Description
<b>EM-EU10115   EM-EU10118</b>		
1	5640	GE 60-Amp Circuit Breaker
<b>EM-EU15275   EM-EU15278</b>		
1	5641	GE 45-Amp Circuit Breaker
<b>EM-EU20215   EM-EU20218</b>		
1	5640	GE 60-Amp Circuit Breaker

Replacement Part #		Description
<b>Common Parts for the EM-EU***** Series</b>		
2	@EMDFE5504	Control Board
3	EM5626-2	Blower Relay Board
4	EM5729	High Limit Probe ( <i>For Plenum Heaters Manufactured after 06/2004</i> )
5	EM5724	Blower Limit Probe
6	5635	170° Auto High Limit
7	5126	30-Amp Two Pole Contactor Relay
8	EM5620	2.5 kW SpinFin Element