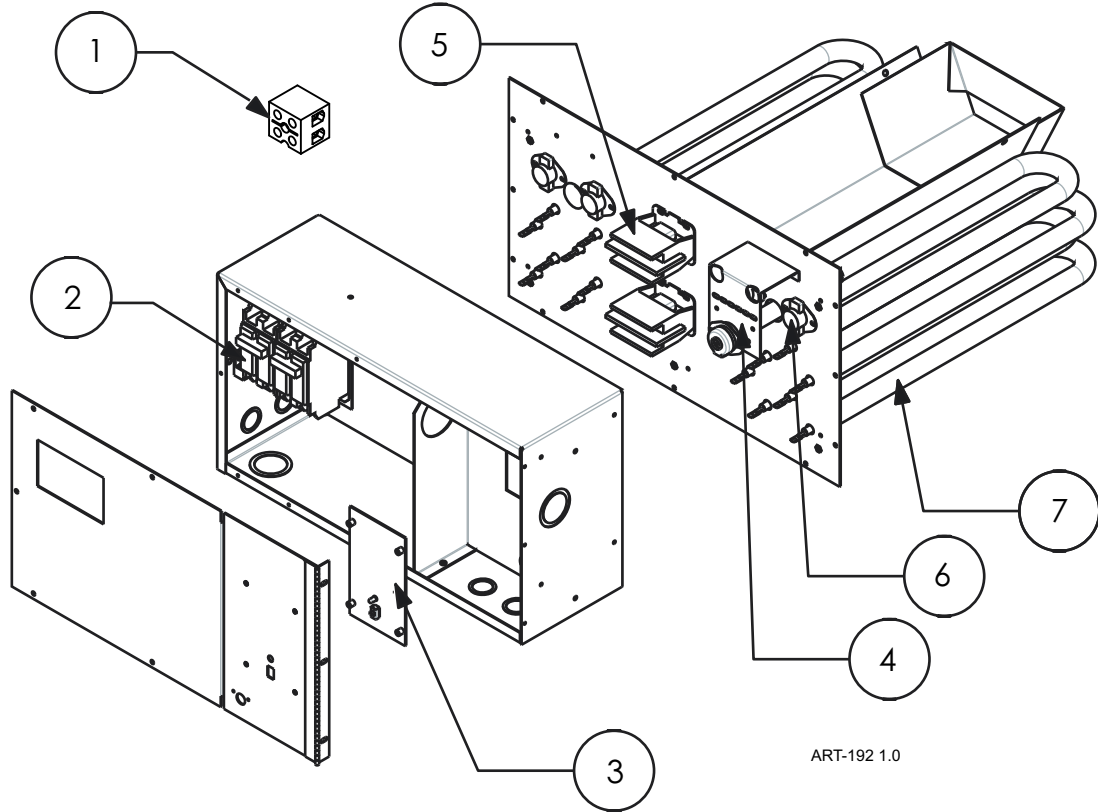


# HeatChoice™

## EH-U\*\*-\* (EM-EU\*\*\*C\*) Series



ART-192 1.0

Replacement Part #	Description	
<b>EH-U05-5 (EM-EU051C5)   EH-U05-8 (EM-EU051C8)</b>		
1	6636	Terminal Block
<b>EH-U10-5 (EM-EU101C5)   EH-U10-8 (EM-EU101C8)</b>		
1	6636	Terminal Block
<b>EH-U15-5 (EM-EU152C5)   EH-U15-8 (EM-EU152C8)</b>		
2	5641	GE 45-Amp Circuit Breaker
2	5651	Square D 45-Amp Circuit Breaker
<b>EH-U20-5 (EM-EU202C5)   EH-U20-8 (EM-EU202C8)</b>		
2	5640	GE 60-Amp Circuit Breaker
2	5652	Square D 60-Amp Circuit Breaker

Replacement Part #	Description	
<b>EH-U25-8 (EM-EU253C8)</b>		
2	5639	GE 30-Amp Circuit Breaker
2	5640	GE 60-Amp Circuit Breaker
2	5650	Square D 30-Amp Circuit Breaker
2	5652	Square D 60-Amp Circuit Breaker
<b>Common Parts for the EH-U**-* (EM-EU***C*) Series</b>		
3	EM-HC2-KIT	HeatChoice II Upgrade
4	EM5729	High Limit Probe
5	5126	30-Amp Two Pole Contactor Relay
6	5633	118° Auto High Limit
7	EM5620	2.5 kW SpinFin Element
8	UFUSE0440	2-Amp Fast Blow Fuse ( <i>Not Shown</i> )