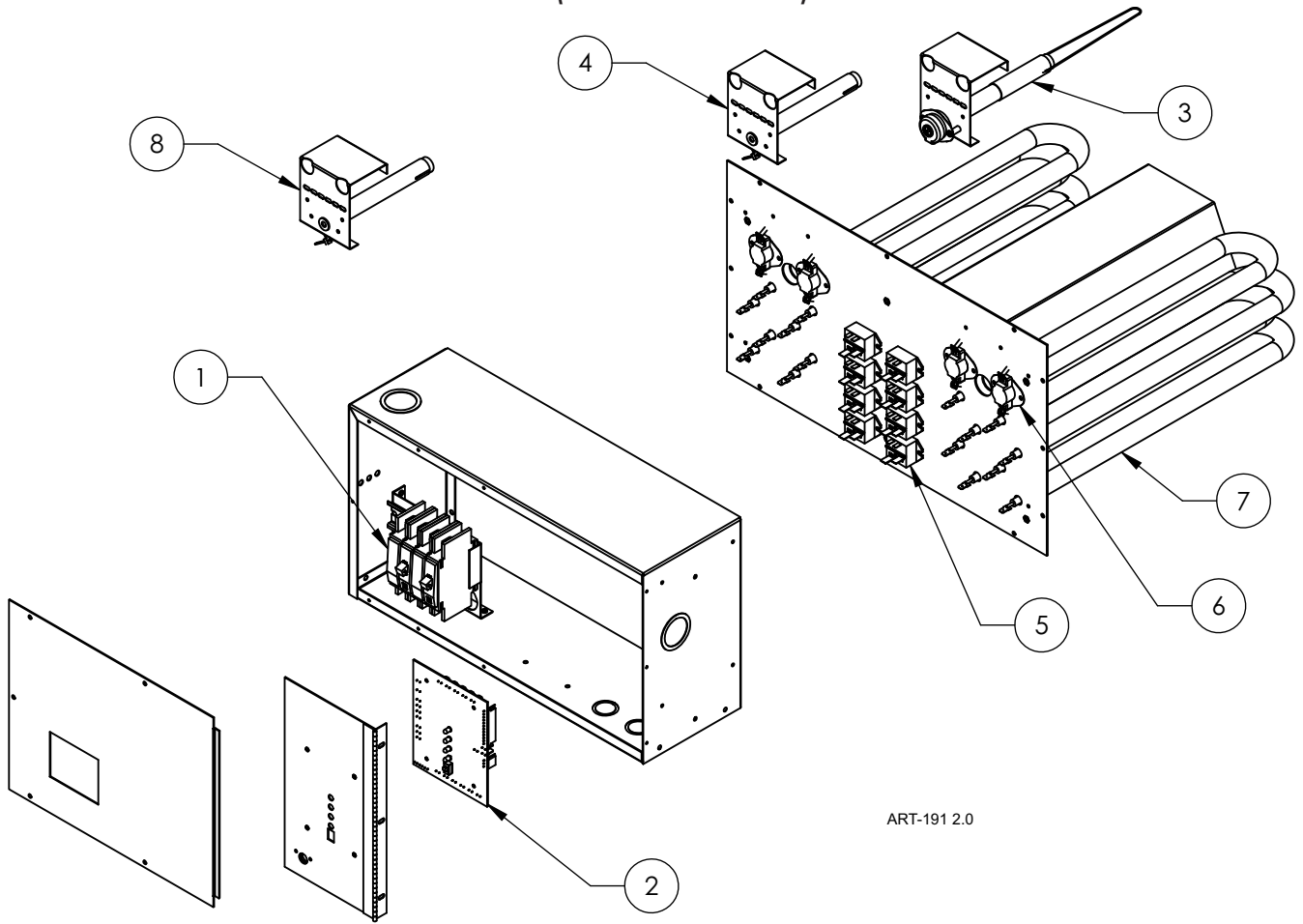


# HeatChoice II™

## EH-D\*\*-\* (EM-ED\*\*\*C\*) Series



ART-191 2.0

Replacement Part #		Description
<b><i>EH-D10-5 (EM-ED102C5)   EH-D10-8 (EM-ED102C8)</i></b>		
1	5652	Square D 60-Amp Circuit Breaker
<b><i>EH-D15-5 (EM-ED153C5)   EH-D15-8 (EM-ED153C8)</i></b>		
1	5650	Square D 30-Amp Circuit Breaker
1	5652	Square D 60-Amp Circuit Breaker
<b><i>EH-D20-5 (EM-ED204C5)   EH-D20-8 (EM-ED204C8)</i></b>		
1	5652	Square D 60-Amp Circuit Breaker

Replacement Part #		Description
<b><i>Common Parts for the EH-D**-* (EM-ED***C*) Series</i></b>		
2	EMDEC5633	HeatChoice II Control Board
3	EM5729	High Limit Probe
4	EM5724	Blower Limit Probe
5	5127	25-Amp DC Relay
6	5633	118° Auto High Limit
7	EM5620	2.5 kW SpinFin Element
8	EM5714	Down Flow High Limit Probe ( <i>Shipped Loose</i> )