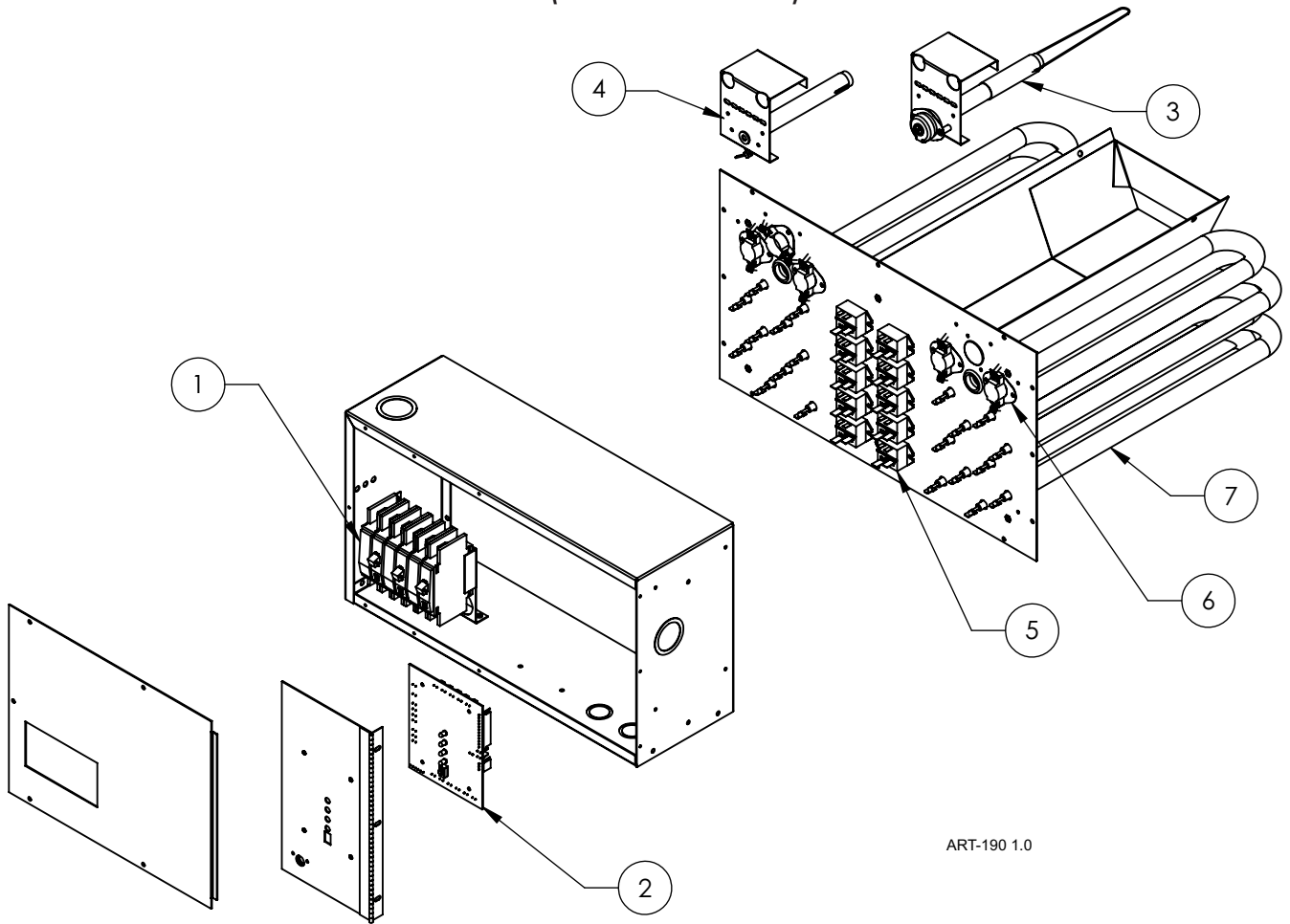


HeatChoice II™

EH-U**-* (EM-EU***C*) Series



ART-190 1.0

Replacement Part #		Description
EH-U10-5 (EM-EU102C5) EH-U10-8 (EM-EU102C8)		
1	5652	Square D 60-Amp Circuit Breaker
EH-U15-5 (EM-EU153C5) EH-U15-8 (EM-EU153C8)		
1	5650	Square D 30-Amp Circuit Breaker
1	5652	Square D 60-Amp Circuit Breaker
EH-U20-5 (EM-EU204C5) EH-D20-8 (EM-EU204C8)		
1	5652	Square D 60-Amp Circuit Breaker
EH-U25-8 (EM-EU255C8)		
1	5650	Square D 30-Amp Circuit Breaker
1	5652	Square D 60-Amp Circuit Breaker

Replacement Part #		Description
Common Parts for the EH-U**-* (EM-EU***C*) Series		
2	EMDEC5633	HeatChoice II Control Board
3	EM5729	High Limit Probe
4	EM5724	Blower Limit Probe
5	5127	25-Amp DC Relay
6	5633	118° Auto High Limit
7	EM5620	2.5 kW SpinFin Element