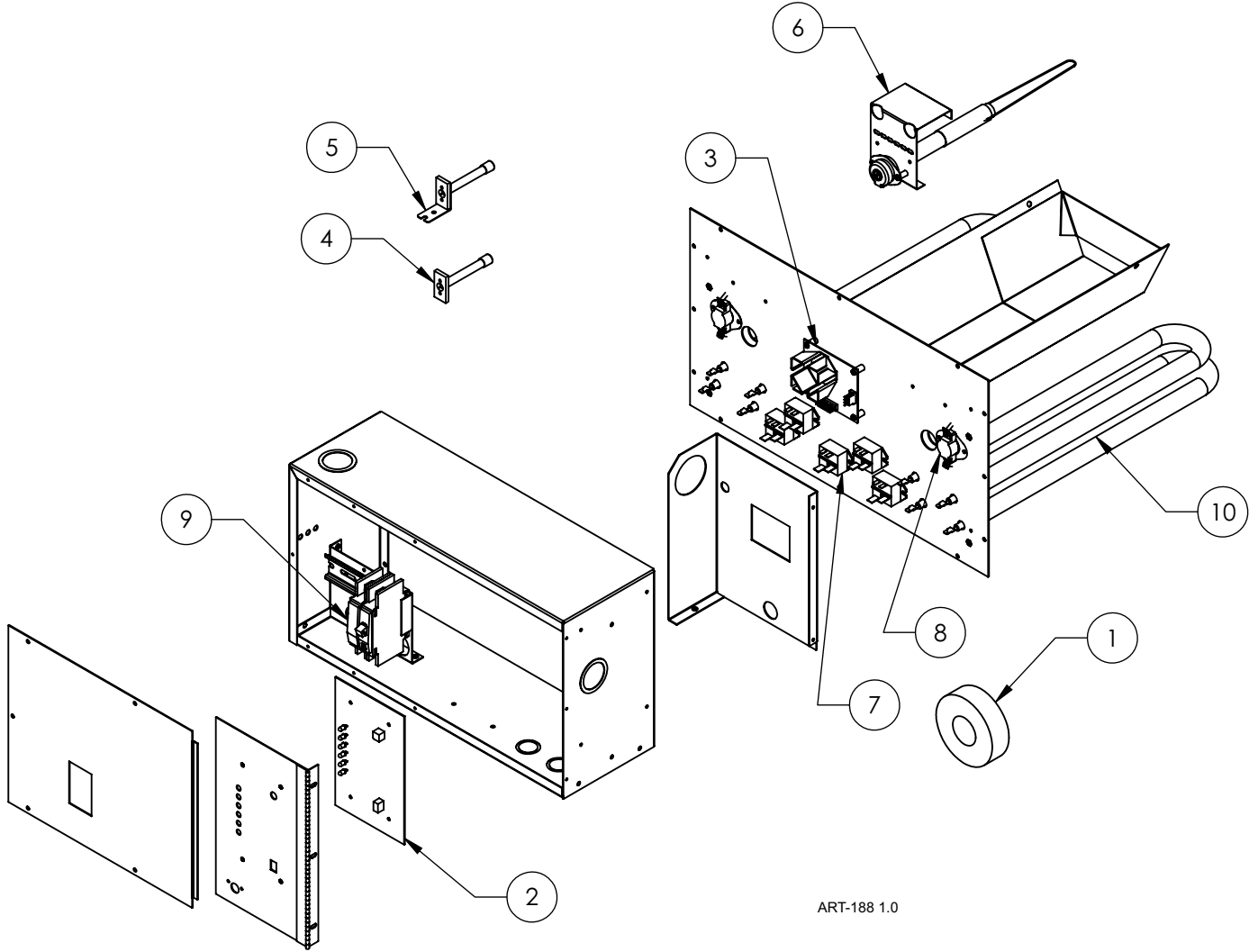


Electro EZ-Mate™ EM-LV**4** Series



ART-188 1.0

Replacement Part #		Description
EM-LV104Z5 / EM-LV104Z8		
EM-LV104L5 / EM-LV104L8		
1	3629	200-Amp 1:1000 Current Transformer
Common Parts for the EM-LV**** Series		
2	WF5630EZ	WarmFlo + Control Board
2a	UIC9266 R-112	Microchip v. 10.0*
3	WFPDC5632	Relay Driver Board
4	WFS5F	Duct Sensor
5	WFS25F	Outdoor Sensor
6	EM5729	High Limit Probe
7	5127	25-Amp DC Relay
8	5633	118° Auto High Limit
9	5640	GE 60-Amp Circuit Breaker
9	5652	Square D 60-Amp Circuit Breaker
10	EM5620	2.5 kW SpinFin Element
11	EMCBW5200	WarmFlo + Relay Cable (<i>Not Shown</i>)
12	EMCBW5201	AC to DC Relay Cable (<i>Not Shown</i>)