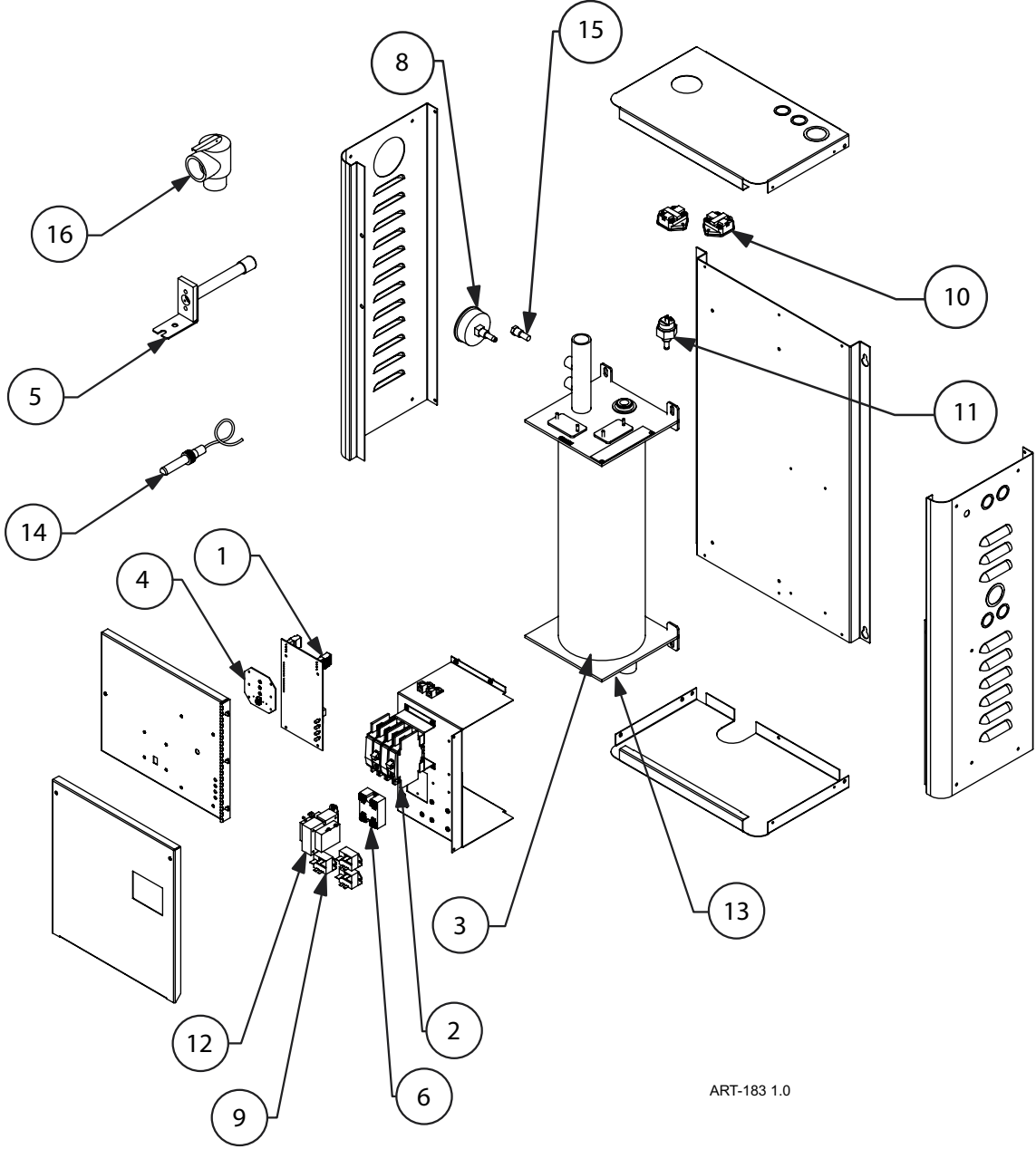


TS Midsize Electro-Boiler™

EB-M*-** Series



ART-183 1.0

(SEE NEXT PAGE FOR PARTS LIST)

TS Midsize Electro-Boiler™

EB-M*-** Series

Replacement Part #		Description
EB-MS-10		
1	EB5623S	Control Board
1a	UIC9266 R-105	Microchip v. 5.3* (Specify Code – EBS)
2	5652	Square D 60-Amp Circuit Breaker
3	EBMVS10	10 kW Vessel Assembly
7	EBCBW5427	Wiring Harness (<i>Not Shown</i>)

EB-MS-15		
1	EB5623S	Control Board
1a	UIC9266 R-105	Microchip v. 5.3* (Specify Code - EBS)
2	5650	Square D 30-Amp Circuit Breaker
2	5652	Square D 60-Amp Circuit Breaker
3	EBMVS15	15 kW Vessel Assembly
7	EBCBW5426	Wiring Harness (<i>Not Shown</i>)

EB-MS-20		
1	EB5623S	Control Board
1a	UIC9266 R-086	Microchip v. 6.2* (Specify Code – EBS)
2	5652	Square D 60-Amp Circuit Breaker
3	EBMVS20	20 kW Vessel Assembly
7	EBCBW5425	Wiring Harness (<i>Not Shown</i>)

EB-MA-10		
1	EB5623WA	Control Board
1a	UIC9266 R-086	Microchip v. 6.2* (Specify Code - WA)
2	5652	Square D 60-Amp Circuit Breaker
3	EBMVS10	10 kW Vessel Assembly
4	EBTSW5627	Standby Switch Board
6	4038KIT	50-Amp DC Triac Kit
7	EBCBW5430	Wiring Harness (<i>Not Shown</i>)

EB-MA-15		
1	EB5623WA	Control Board
1a	UIC9266 R-086	Microchip v. 6.2* (Specify Code - WA)
2	5650	Square D 30-Amp Circuit Breaker
2	5652	Square D 60-Amp Circuit Breaker
3	EBMVS15	15 kW Vessel Assembly
4	EBTSW5627	Standby Switch Board
6	4038KIT	50-Amp DC Triac Kit
7	EBCBW5429	Wiring Harness (<i>Not Shown</i>)

EB-MA-20		
1	EB5623WA	Control Board
1a	UIC9266 R-086	Microchip v. 6.2* (Specify Code – WA)
2	5652	Square D 60-Amp Circuit Breaker
3	EBMVS20	20 kW Vessel Assembly
4	EBTSW5627	Standby Switch Board
6	4038KIT	50-Amp DC Triac Kit
7	EBCBW5428	Wiring Harness (<i>Not Shown</i>)

Replacement Part #		Description
EB-MO-10		
1	EB5623WO	Control Board
1a	UIC9266 R-086	Microchip v. 6.2* (Specify Code - WO)
2	5652	Square D 60-Amp Circuit Breaker
3	EBMVS10	10 kW Vessel Assembly
4	EBTSW5627	Standby Switch Board
5	WFS25F	Outdoor Sensor
6	4038KIT	50-Amp DC Triac Kit
7	EBCBW5430	Wiring Harness (<i>Not Shown</i>)

EB-MO-15		
1	EB5623WO	Control Board
1a	UIC9266 R-086	Microchip v. 6.2* (Specify Code – WO)
2	5650	Square D 30-Amp Circuit Breaker
2	5652	Square D 60-Amp Circuit Breaker
3	EBMVS15	15 kW Vessel Assembly
4	EBTSW5627	Standby Switch Board
5	WFS25F	Outdoor Sensor
6	4038KIT	50-Amp DC Triac Kit
7	EBCBW5429	Wiring Harness (<i>Not Shown</i>)

EB-MO-20		
1	EB5623WO	Control Board
1a	UIC9266 R-086	Microchip v. 6.2* (Specify Code - WO)
2	5652	Square D 60-Amp Circuit Breaker
3	EBMVS20	20 kW Vessel Assembly
4	EBTSW5627	Standby Switch Board
5	WFS25F	Outdoor Sensor
6	4038KIT	50-Amp DC Triac Kit
7	EBCBW5428	Wiring Harness (<i>Not Shown</i>)

Common Parts for the EB-M**-** Series		
8	5456A	Pressure / Temperature Gauge
9	5127	25-Amp DC Relay
10	5535	205° Manual Reset Limit
11	5537	190° Auto Reset Limit
12	5541	40 VA Transformer with Pigtails
13	EB5526	5 kW Element with Gasket
14	WFSB	Supply Sensor
15	5533	Sensor Well
16	5453	30 psi Relief Valve
17	XNPL7780	1" x 2½" Pipe Nipple (<i>Not Shown</i>)
18	XBSH7180	1" x ¾" Pipe Bushing (<i>Not Shown</i>)
19	XTEE7060	1" Pipe Tee (<i>Not Shown</i>)
20	XEL7850	1" 90° Pipe Elbow (<i>Not Shown</i>)
21	UFUSE0440	2-Amp Fast Blow Fuse (<i>Not Shown</i>)